

SHOCKLESS MODULAR VALVES

ST-02 SERIES

積層型緩衝閥

◆ MODEL 型 式

ST-02



◆ FEATURES

- This valve can prevent the impact from adding pressure to switching while unloading.
- Casting iron body provides strength and durability.
- Internal hard steel components also enhance durability.

- 特 點
- 此閥可以防止，加壓至卸載切換時的衝擊。
- 閥本體鑄鐵強度夠且耐久性，壽命長。
- 內部硬鋼原件提高產品壽命。

◆ SPECIFICATIONS 規 格

Model Number 型式號碼	Maximum Pressure 最大壓力 bar	Connecting PT 適用管徑	Maximum Flow 最大流量 lpm	Weight 重量 Kg
ST-02	250 (3625 psi)	1/4"	2 (0.53 gpm)	1.3 (2.9 lbs)
Fluid Type 流體型式		ISO VG 32, 46, 68		
Viscosity 黏性 cSt		10~400 (59~1854 SSU)		
Operating Temperature 操作溫度 °C		-15~70 (-5~158 °F)		
Contamination Level 污染標準		ISO4406. 21/19/16 NAS1638,10		
Surface Treatment 表面處理		Zinc Phosphate Compound 鋅 磷酸鹽 化合物		

- All screws with metric measure , if require inch measure , please contact us.
所附螺絲皆為公制標準規格品，若需英制螺絲請另外備註說明。

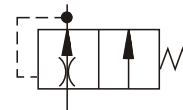
◆ HOW TO ORDER 編號說明

1	2	3
ST	— 02	— 20

- 1 VALVE SERIES** 系列名稱
ST=Shockless Modular Valves

◆ CONTROL PORT(S) 動作形式

- 2 SUBPLATE MOUNTING SIZE:** 稱呼口徑
02=1/4"(6mm)
ISO CETOP3
DIN NG 6
NFFPA D03



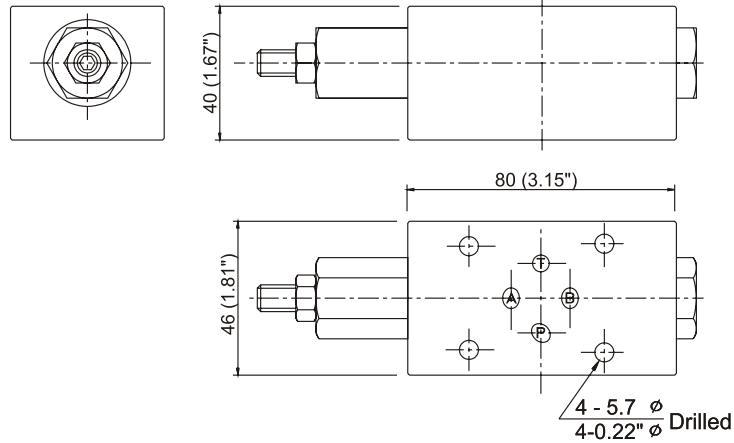
- 3 DESIGN NO** 設計編號

SHOCKLESS MODULAR VALVES

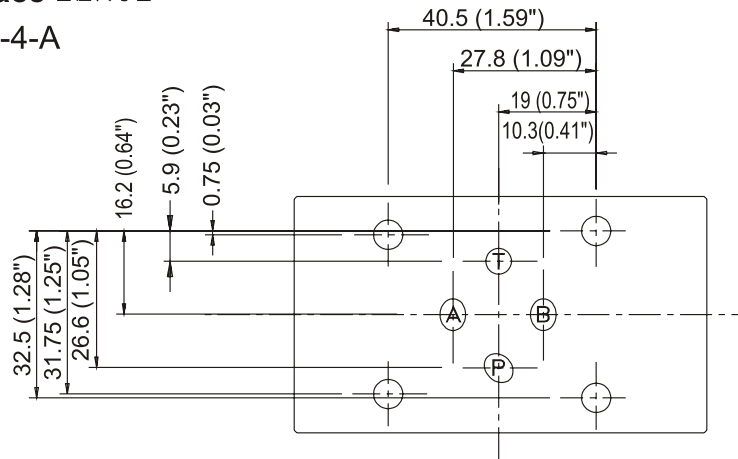
積層型緩衝閥

ST-02 SERIES

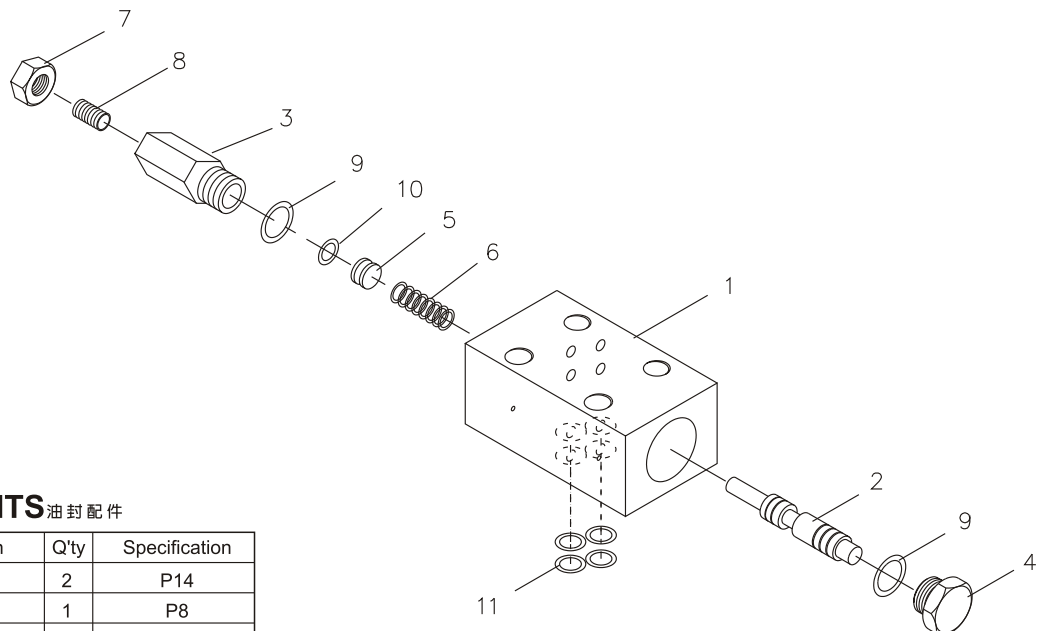
◆ DIMENSIONS 外型尺寸圖 ST-02



◆ Mounting Interface 基座尺寸圖 ISO 4401-AB-03-4-A



◆ EXPLODED VIEWS OF PARTS LIST 零件爆炸視圖 ST-02



◆ SEAL KITS 油封配件

NO	Description	Q'ty	Specification
9	O-ring	2	P14
10	O-ring	1	P8
11	O-ring	4	P9

F
ST