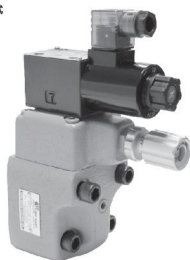


SOLENOID CONTROLLED RELIEF VALVES

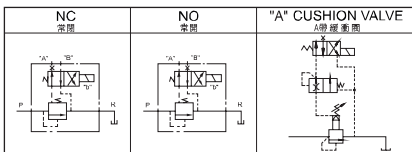
電磁式溢流閥

SRV SERIES

◆ MODEL 型式 SRV-03G-30



◆ CONTROL PORT(S) 動作形式



◆ SPECIFICATIONS 規格

Model Number 型式號碼	Maximum Pressure 最大壓力 bar	Connecting PT 適用管徑	Maximum Flow 最大流量 lpm	Weight 重量 Kg
SRV-03G-30	315 (4500 psi)	3/8"	90 (23.78 gpm)	5.8 (12.8 lbs)
SRV-03T-30				6.4 (9.9 lbs)
SRV-06G-30		3/4"		7 (15.4 lbs)
SRV-06T-30				6.4 (9.9 lbs)
SRV-10G-30		1-1/4"		11.1 (14.1 lbs)
SRV-10T-30				9.9 (21.8 lbs)
Fluid Type 液體型式		ISO VG 32, 46, 68		
Viscosity 黏性 cSt		10-400 (59-1854 SSU)		
Operating Temperature 操作溫度 °C		-15-70 (-5-158 °F)		
Contamination Level 污染標準		ISO4406. 21/19/16 NAS1638,10		

◆ All screws with metric measure, if require Inch measure, please contact us.

所別螺絲皆為公制標準規格型，若需英制螺絲請另外備註說明。

◆ HOW TO ORDER 編號說明

1	2	3	4	5	6	7	8
SRV	*	03	G	*	**	30	**

1 VALVE SERIES 系列名稱

SRV=Solenoid Controlled Relief Valves

2 CUSHION VALVE 緩衝閥

NONE: None Cushion Valve (Standard)
無不帶緩衝閥(標準型)

A: With Cushion Valve (anyone)
See Control Port(s)

A 埠緩衝閥(任選)及動作形式

3 SUBPLATE MOUNTING SIZE: 稱呼口徑

03 = 3/8"(9mm) 06 = 3/4"(19mm)
ISO CETOP5 ISO CETOP8
DIN NG 10 DIN NG 25
NFPA D05 NFPA D08

10 = 1 1/4"(31.8mm)
ISO CETOP10
DIN NG 32
NFPA D10

4 CONNECTING TYPE 連接型式

T:TYPE:THREADING TYPE (螺紋連接)

G:TYPE:BASEPLATE MOUNTING TYPE (板式連接)

5 ADJUSTMENT PRESSURE 壓力調整範圍

1. * - 70 bar 3. 8 - 250 bar
2. . 8 - 140 bar 4. 8 - 315 bar

6 COIL TYPES OF SOLENOID VALVE

電磁閥電磁線圈類型

A1: AC110 A2: AC220

D1: DC12 D2: DC24

R1: RF110 R2: RF220

7 WIRING TYPE 接線型式

20: WIRING BOX TYPE 接線盒式
30: DIN TYPE D L 圖

8 CONTROL TYPE 控制方式

NONE: Normally Open (NO). None pressure_ under electric power off. (Standard)

無:常開(NO),不通電時無壓力(標準型)

NC: Normally Close. Pressure raise_ under electric power off.

NC:常閉,不通電時壓力上升

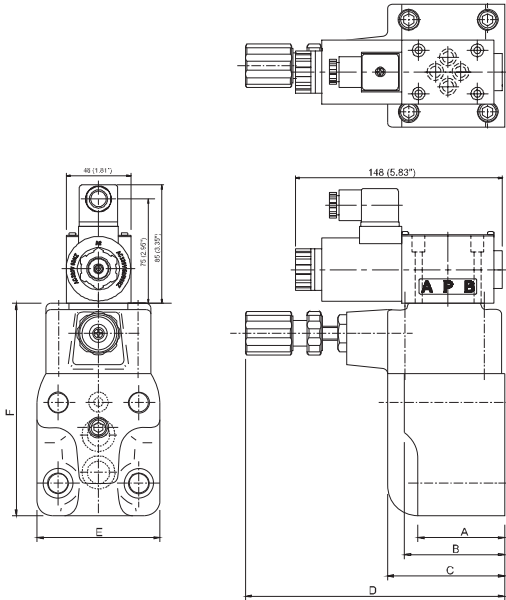
SOLENOID CONTROLLED RELIEF VALVES

SRV SERIES

電磁式溢流閥

◆ DIMENSIONS 外型尺寸圖

SRV-03. 06. 10G



MODEL 型 式	A	B	C	D	E	F
SRV-03G	57(2.24'')	--	77(3.03'')	170(6.69'')	84(3.31'')	143(5.63'')
SRV-06G	40(1.57'')	60(2.36'')	78(3.07'')	170(6.69'')	105(4.13'')	168(6.61'')
SRV-10G	49(1.93'')	67(2.64'')	87(3.43'')	190(7.48'')	127(5.0'')	194(7.64'')

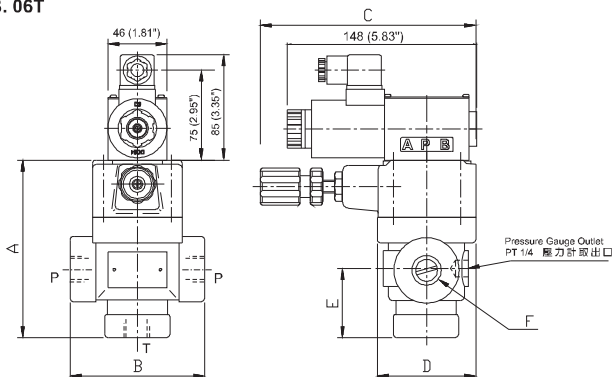
SOLENOID CONTROLLED RELIEF VALVES

電磁式溢流閥

SRV SERIES

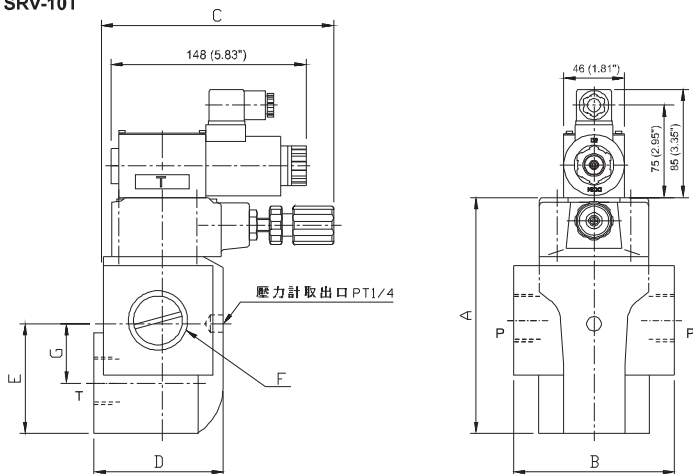
◆ DIMENSIONS 外型尺寸圖

SRV-03. 06T



MODEL 型式	A	B	C	D	E	F	G
SRV-03T	138(5.43")	106(4.17")	165(6.50")	78(3.07")	52(2.05")	PT 3/8	--
SRV-06T	138(5.43")	106(4.17")	165(6.50")	78(3.07")	52(2.05")	PT 3/4	--
SRV-10T	178(7.0")	122(4.80")	170(6.69")	97(3.82")	89(3.50")	PT 1-1/4	49(1.59")

SRV-10T



F
SRV

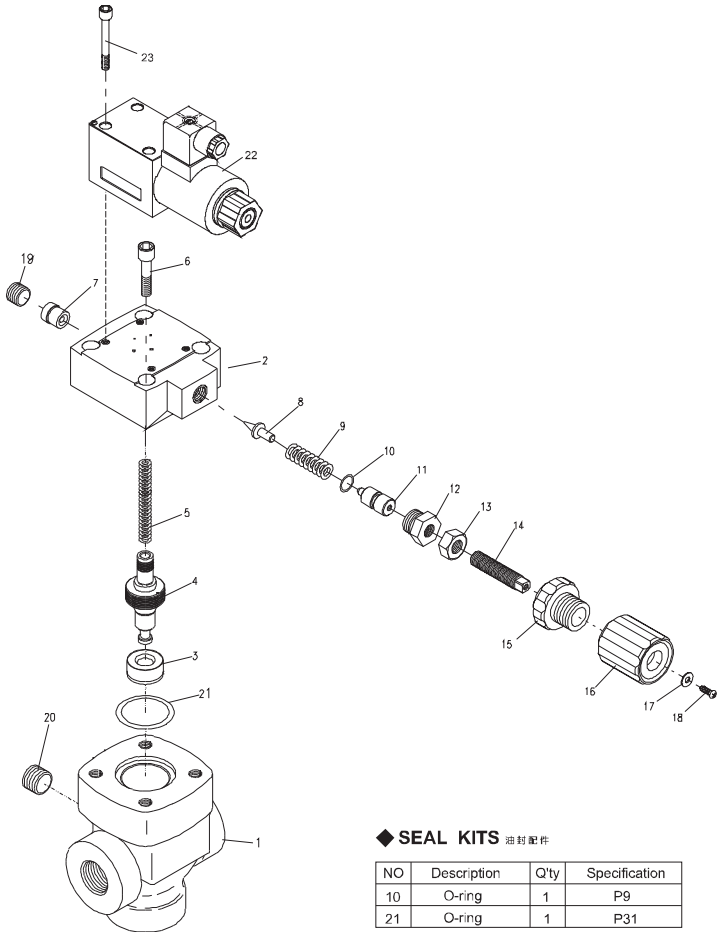
SOLENOID CONTROLLED RELIEF VALVES

SRV SERIES

電磁式溢流閥

◆ EXPLODED VIEWS OF PARTS LIST 零件爆炸視圖

SRV-03T. 06T

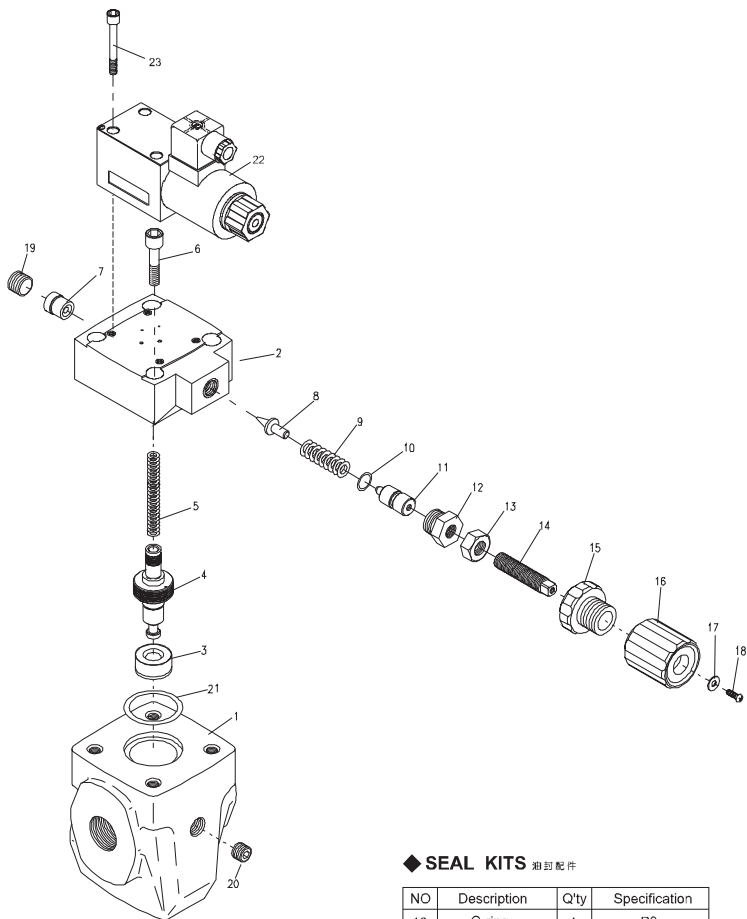


◆ SEAL KITS 油封配件

NO	Description	Q'ty	Specification
10	O-ring	1	P9
21	O-ring	1	P31

◆ DIMENSIONS 外型尺寸圖

SRV-10T



◆ SEAL KITS 密封配件

NO	Description	Q'ty	Specification
10	O-ring	1	P9
21	O-ring	1	P31

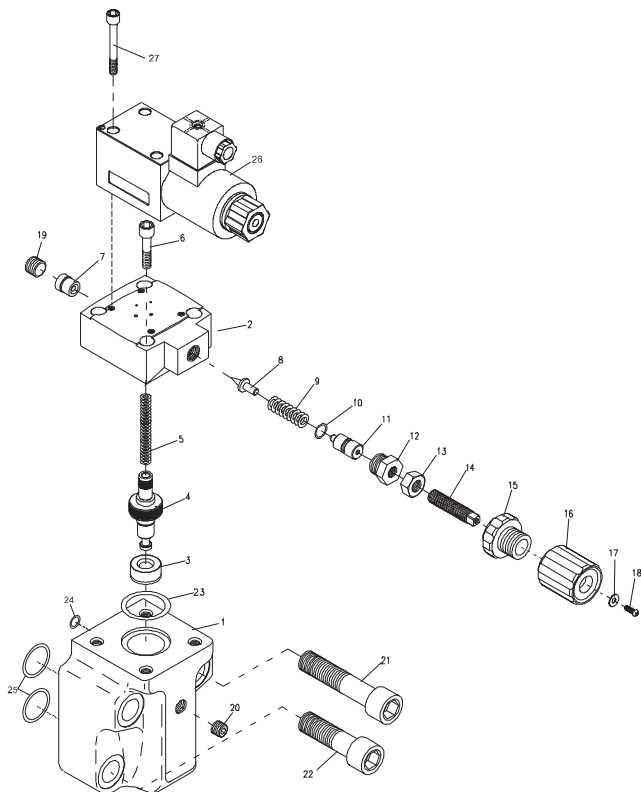
SOLENOID CONTROLLED RELIEF VALVES

SRV SERIES

電磁式溢流閥

◆ EXPLODED VIEWS OF PARTS LIST 零件爆炸視圖

SRV-03G, 06G, 10G



◆ ACCESSORIES 附屬配件

SRV-03G			
NO	Description	Q'ty	Specification
10	O-ring	1	P9
21	HEX. COUNTER-SINK SCREW	2	M12 x 90L
22	HEX. COUNTER-SINK SCREW	2	M12 x 70L
23	O-ring	1	P31
24	O-ring	1	P10
25	O-ring	2	P18

SRV-06G			
NO	Description	Q'ty	Specification
10	O-ring	1	P9
21	HEX. COUNTER-SINK SCREW	2	M16 x 75L
22	HEX. COUNTER-SINK SCREW	2	M16 x 55L
23	O-ring	1	P31
24	O-ring	1	P10
25	O-ring	2	P28

SRV-10G			
NO	Description	Q'ty	Specification
10	O-ring	1	P9
21	HEX. COUNTER-SINK SCREW	2	M20 x 90L
22	HEX. COUNTER-SINK SCREW	2	M20 x 70L
23	O-ring	1	P42
24	O-ring	1	P10
25	O-ring	2	P40