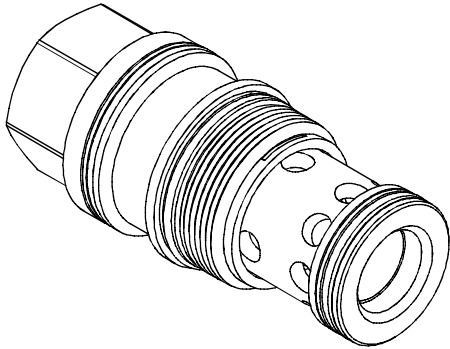
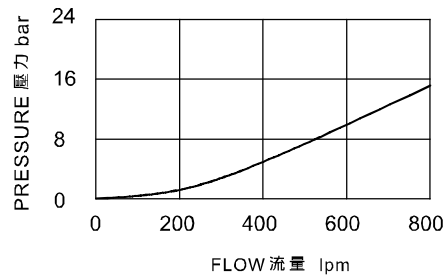


◆ MODEL 型式

VLO-10



◆ PERFORMANCE 特性曲線



◆ SPECIFICATIONS 規格

Model Number 型式號碼	Maximum Pressure 最大壓力 bar	Required Pressure To Star 開啓壓力 bar	Maximum Flow 最大流量 lpm	Weight 重量 Kg
VLO-10-NO	350 (5076 psi)	2 (29.01 psi)	640 (169.07 gpm)	1.2 (2.65 lbs)
VLO-10-NC, VE1, VE2, LS		3.5 (50.76 psi)		1.2 (2.65 lbs)
Fluid Type 流體型式		ISO VG 32, 46, 68		
Viscosity 黏性 cSt		10~400 (59~1854 SSU)		
Operating Temperature 操作溫度 °C		-15~70 (-5~158 °F)		
Contamination Level 污染標準		ISO4406. 21/19/16 NAS1638,10		

◆ HOW TO ORDER 編號說明

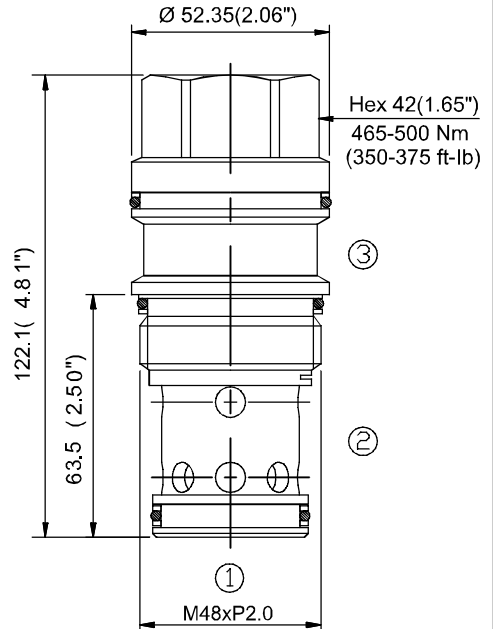
1	2	3
VLO	10	NC

1 VALVE SERIES 系列名稱
VLO=CARTRIDGE LOGIC VALVES
插入式邏輯閥

2 SUBPLATE MOUNTING SIZE 稱呼口徑
10:T-19A
Cavity 孔口:CST-19A
See Page Appendixes-A_007
見附錄A_007 頁面

3 CONTROL TYPE 控制方式
NO : Spring biased open port 3 pilot source (彈簧偏位開,油口3為導壓源)
NC : Spring biased closed port 3 pilot source (彈簧偏位關,油口3為導壓源)
VE1 : Spring biased closed port 1 pilot source (彈簧偏位關,油口1為導壓源)
VE2 : Spring biased closed port 2 pilot source (彈簧偏位關,油口2為導壓源)
LS : Spring biased closed higher of Ports 1 or 2 pilot source
(彈簧偏位關,油口1或2 高壓者為導壓源)

◆ DIMENSIONS 外型尺寸圖



◆ CONTROL PORT(S) 動作形式

