

### ORDER THE EXPLANATION 訂購說明

CSE 04 - 2N - **\*\*** - **A** **\***  
※1    ※2    ※3

#### ※1 Threaded Type 螺紋規格

1P: PT 2N: NPT 3G: PF(G) 4A: SAE 5B: BSP

#### ※2 Ports 接口

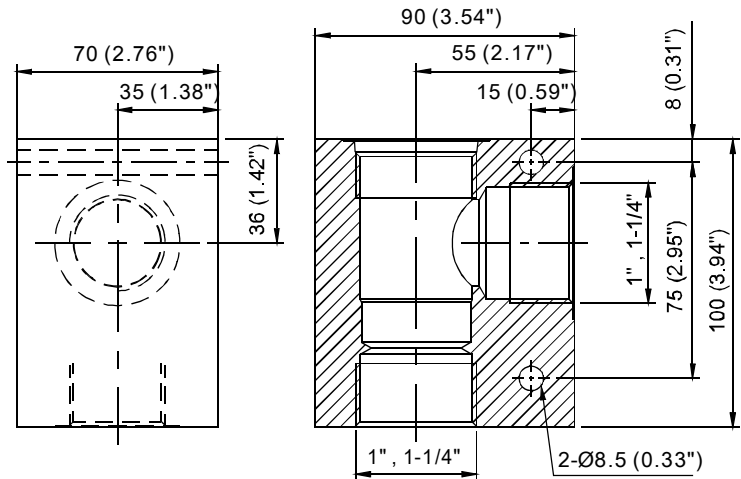
#### ※3 Body Material 閥體材質

NONE (Standard): Aluminum-alloy (Anodized) 無 (標準): 鋁合金(陽極處理)  
 D: Nodular Ductile-Iron (Galvanization) D: 球墨鑄鐵(鍍鋅)  
 S: Steel (Galvanization) S: 鋼質(鍍鋅)

### CAVITY 孔口 CSE 04-2N

Dimensions on Appendices-A 尺寸在附錄A

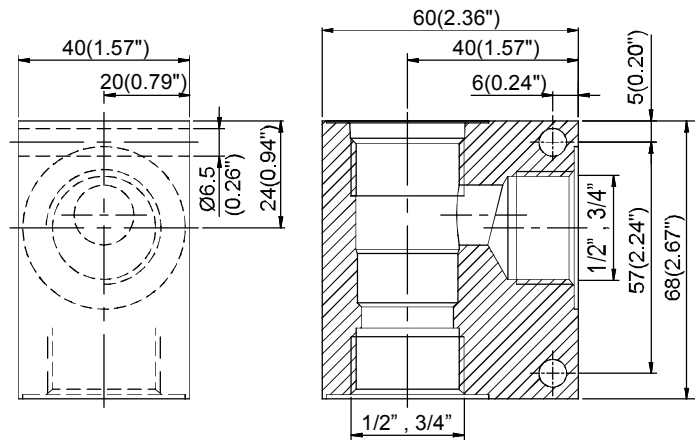
ORDERING CODE 訂購代號	Ports 接口	Weight 重量 Kg(lbs)
CSE04-2N-**-A	1	1.70 (3.75 lbs)
	SAE16	
CSE04-2N-**-B	1-1/4	
	SAE20	



### CAVITY 孔口 CSE017-2N

Dimensions on Appendices-A 尺寸在附錄A

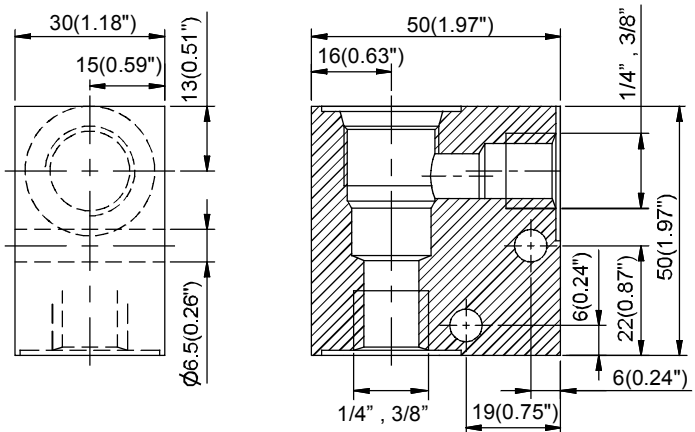
ORDERING CODE 訂購代號	Ports 接口	Weight 重量 Kg(lbs)
CSE017-2N-**-A	1/2	0.45 (0.99 lbs)
	SAE8	
CSE017-2N-**-B	3/4	
	SAE12	



### CAVITY 孔口 CSE019-2N

Dimensions on Appendices-A 尺寸在附錄A

ORDERING CODE 訂購代號	Ports 接口	Weight 重量 Kg(lbs)
CSE019-2N-**-A	1/4	0.20 (0.44 lbs)
	SAE4	
CSE019-2N-**-B	3/8	
	SAE6	



**MAX.PRESSURE 3600 psi (250 bar)**

### FEATURES

Note: The maximum allowable pressure for the standard aluminum-alloy valves is 250 bar; we also supply the nodular ductile-iron and steel valves; contact our factory for details  
 註: 標準閥塊鋁合金最大壓力250bar, 另提供球墨鑄鐵及鋼製閥塊, 請聯繫工廠。

# STANDARD MANIFOLDS

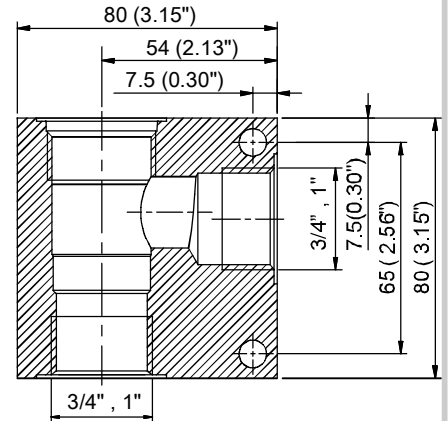
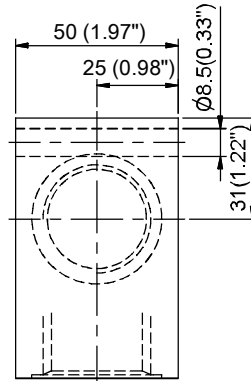
CSEXXX-2N

標準油路板

<b>ORDER THE EXPLANATION</b> 訂購說明	<b>CSE021 - 2N - ** - A *</b> <small>※1    ※2    ※3</small>
	<b>※1 Threaded Type</b> 螺紋規格 1P: PT 2N: NPT 3G: PF(G) 4A: SAE 5B: BSP <b>※2 Ports</b> 接口 <b>※3 Body Material</b> 閥體材質 NONE (Standard): Aluminum-alloy (Anodized) 無 (標準): 鋁合金(陽極處理) D: Nodular Ductile-Iron (Galvanization) D: 球墨鑄鐵(鍍鋅) S: Steel (Galvanization) S: 鋼質(鍍鋅)

<b>CAVITY</b> 孔口	<b>CSE021-2N</b>
Dimensions on Appendices-A	尺寸在附錄A

ORDERING CODE 訂購代號	Ports 接口	Weight 重量 Kg(lbs)
CSE021-2N-**-A	3/4	0.86 (1.90 lbs)
	SAE 12	
CSE021-2N-**-B	1	
	SAE 16	



Appendices-B

附錄-B

**MAX.PRESSURE**    **3600 psi**  
**(250 bar)**

## FEATURES

Note: The maximum allowable pressure for the standard aluminum-alloy valves is 250 bar; we also supply the nodular ductile-iron and steel valves; contact our factory for details  
 註: 標準閥塊鋁合金最大壓力250bar, 另提供球墨鑄鐵及鋼製閥塊, 請聯繫工廠。

### ORDER THE EXPLANATION

訂購說明

CS08 - 2N - \*\* - A \*  
※1    ※2    ※3

#### ※1 Threaded Type 螺紋規格

1P: PT 2N: NPT 3G: PF(G) 4A: SAE 5B: BSP

#### ※2 Ports 接口

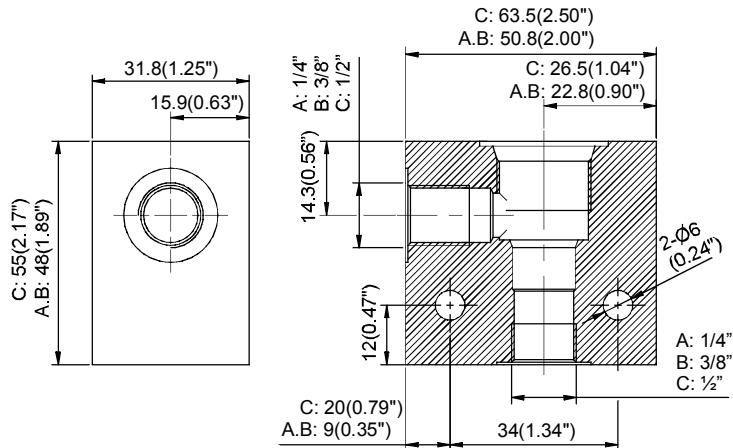
#### ※3 Body Material 閥體材質

NONE (Standard): Aluminum-alloy (Anodized) 無 (標準): 鋁合金(陽極處理)  
 D: Nodular Ductile-Iron (Galvanization) D: 球墨鑄鐵(鍍鋅)  
 S: Steel (Galvanization) S: 鋼質(鍍鋅)

### CAVITY 孔口 CS08-2N

Dimensions on Appendices-A 尺寸在附錄A

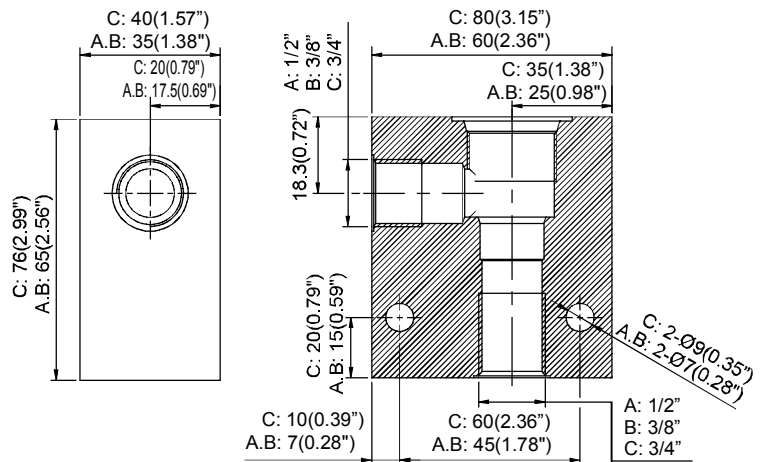
ORDERING CODE 訂購代號	Ports 接口	Weight 重量 Kg(lbs)
CS08-2N-**-A	1/4	0.21 (0.46 lbs)
	SAE4	
CS08-2N-**-B	3/8	0.30 (0.66 lbs)
	SAE6	
CS08-2N-**-C	1/2	0.30 (0.66 lbs)
	SAE8	



### CAVITY 孔口 CS10-2N

Dimensions on Appendices-A 尺寸在附錄A

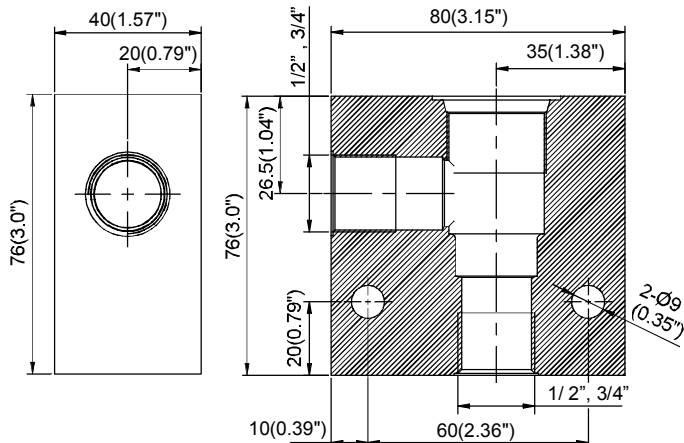
ORDERING CODE 訂購代號	Ports 接口	Weight 重量 Kg(lbs)
CS10-2N-**-A	1/2	0.37 (0.82 lbs)
	SAE8	
CS10-2N-**-B	3/8	0.66 (1.46 lbs)
	SAE6	
CS10-2N-**-C	3/4	0.66 (1.46 lbs)
	SAE12	



### CAVITY 孔口 CS12-2N

Dimensions on Appendices-A 尺寸在附錄A

ORDERING CODE 訂購代號	Ports 接口	Weight 重量 Kg(lbs)
CS12-2N-**-A	1/2	0.66 (1.46 lbs)
	SAE8	
CS12-2N-**-B	3/4	0.66 (1.46 lbs)
	SAE12	



### FEATURES

**MAX.PRESSURE 3600 psi (250 bar)**

Note: The maximum allowable pressure for the standard aluminum-alloy valves is 250 bar; we also supply the nodular ductile-iron and steel valves; contact our factory for details  
 註: 標準閥塊鋁合金最大壓力250bar, 另提供球墨鑄鐵及鋼製閥塊, 請聯繫工廠。

# STANDARD MANIFOLDS

CSXX-2N

標準油路板

Appendices-B

附錄-B

## ORDER THE EXPLANATION

訂購說明

CS16 - 2N -  $\frac{**}{※1}$  -  $\frac{A}{※2}$   $\frac{*}{※3}$

### ※1 Threaded Type 螺紋規格

1P: PT 2N: NPT 3G: PF(G) 4A: SAE 5B: BSP

### ※2 Ports 接口

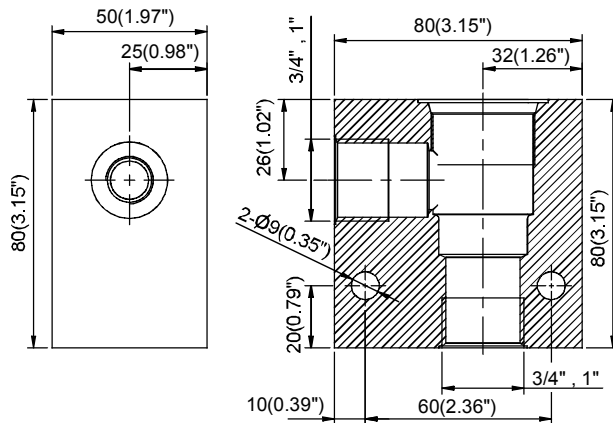
### ※3 Body Material 閥體材質

NONE (Standard): Aluminum-alloy (Anodized) 無 (標準): 鋁合金(陽極處理)  
 D: Nodular Ductile-Iron (Galvanization) D: 球墨鑄鐵(鍍鋅)  
 S: Steel (Galvanization) S: 鋼質(鍍鋅)

## CAVITY 孔口 CS16-2N

Dimensions on Appendices-A 尺寸在附錄A

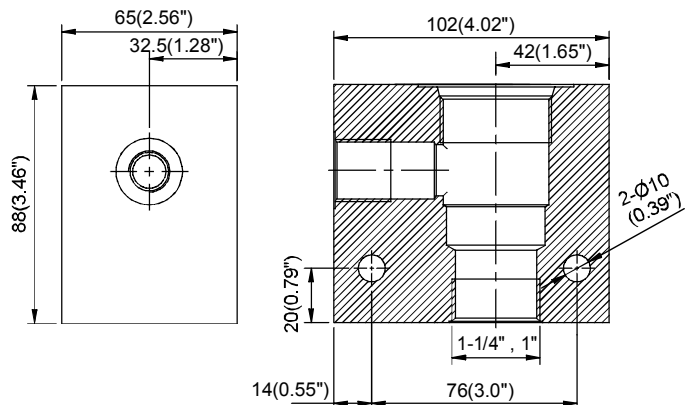
ORDERING CODE 訂購代號	Ports 接口	Weight 重量 Kg(lbs)
CS16-2N-**-A	3/4	0.86 (1.90 lbs)
	SAE12	
CS16-2N-**-B	1	
	SAE16	



## CAVITY 孔口 CS20-2N

Dimensions on Appendices-A 尺寸在附錄A

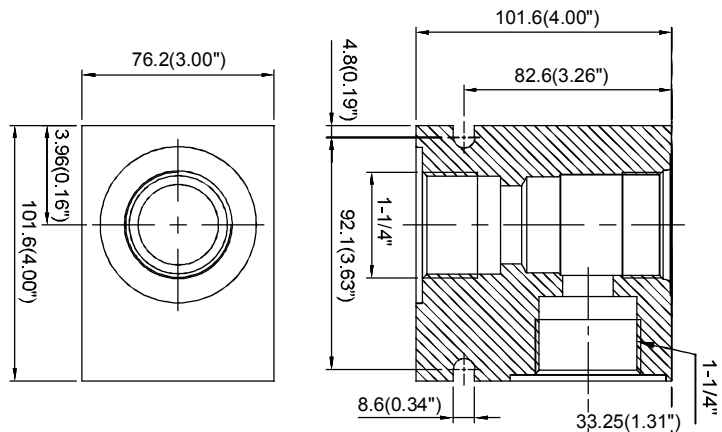
ORDERING CODE 訂購代號	Ports 接口	Weight 重量 Kg(lbs)
CS20-2N-**-A	1-1/4	1.58 (3.48 lbs)
	SAE20	
CS20-2N-**-B	1	
	SAE16	



## CAVITY 孔口 CS42-2N

Dimensions on Appendices-A 尺寸在附錄A

ORDERING CODE 訂購代號	Ports 接口	Weight 重量 Kg(lbs)
CS42-2N-**-A	1-1/4	2.12 (4.67 lbs)
	SAE20	



**MAX.PRESSURE 3600 psi (250 bar)**

## FEATURES

Note: The maximum allowable pressure for the standard aluminum-alloy valves is 250 bar; we also supply the nodular ductile-iron and steel valves; contact our factory for details  
 註: 標準閥塊鋁合金最大壓力250bar, 另提供球墨鑄鐵及鋼製閥塊, 請聯繫工廠。



# STANDARD MANIFOLDS

CSXX-2NY

標準油路板

Appendices-B

附錄-B

## ORDER THE EXPLANATION

訂購說明

CS08 - 2NY - \*\* - A \*

※1    ※2    ※3

※1 **Threaded Type** 螺紋規格  
1P: PT 2N: NPT 3G: PF(G) 4A: SAE 5B: BSP

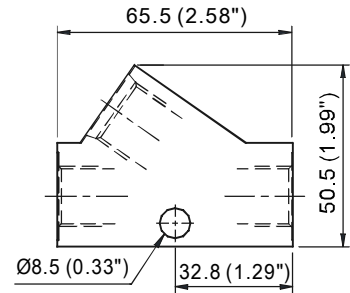
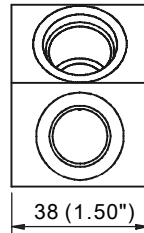
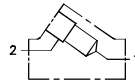
※2 **Ports** 接口

※3 **Body Material** 閥體材質  
NONE (Standard): Aluminum-alloy (Anodized) 無 (標準): 鋁合金(陽極處理)  
D: Nodular Ductile-Iron (Galvanization) D: 球墨鑄鐵(鍍鋅)

### CAVITY 孔口 CS08-2NY

Dimensions on Appendices-A 尺寸在附錄A

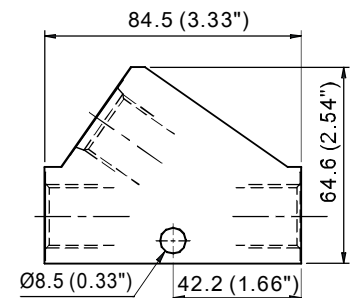
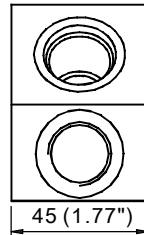
ORDERING CODE 訂購代號	Ports 接口	Weight 重量 Kg(lbs)
CS08-2NY-**-A	1/4	0.25 (0.55 lbs)
	SAE4	
CS08-2NY-**-B	3/8	
	SAE6	



### CAVITY 孔口 CS10-2NY

Dimensions on Appendices-A 尺寸在附錄A

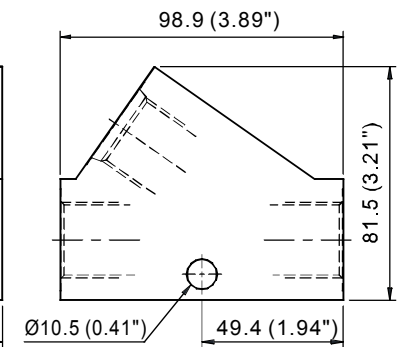
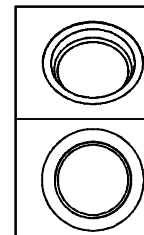
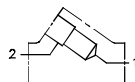
ORDERING CODE 訂購代號	Ports 接口	Weight 重量 Kg(lbs)
CS10-2NY-**-A	1/2	0.48 (1.06 lbs)
	SAE8	
CS10-2NY-**-B	3/8	
	SAE6	



### CAVITY 孔口 CS12-2NY

Dimensions on Appendices-A 尺寸在附錄A

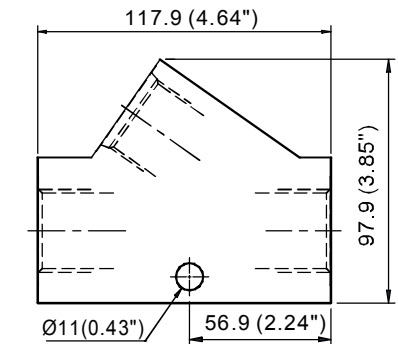
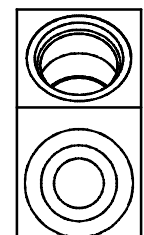
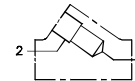
ORDERING CODE 訂購代號	Ports 接口	Weight 重量 Kg(lbs)
CS12-2NY-**-A	1/2	0.85 (1.87 lbs)
	SAE8	
CS12-2NY-**-B	3/4	
	SAE12	



### CAVITY 孔口 CS16-2NY

Dimensions on Appendices-A 尺寸在附錄A

ORDERING CODE 訂購代號	Ports 接口	Weight 重量 Kg(lbs)
CS16-2NY-**-A	3/4	1.15 (2.54 lbs)
	SAE12	
CS16-2NY-**-B	1	
	SAE16	



## FEATURES

**MAX.PRESSURE 3600 psi (250 bar)**

Note: The maximum allowable pressure for the standard aluminum-alloy valves is 250 bar; we also supply the nodular ductile-iron valves; contact our factory for details  
註: 標準閥塊鋁合金最大壓力250bar, 另提供球墨鑄鐵閥塊, 請聯繫工廠。

### ORDER THE EXPLANATION

訂購說明

CS08 - 3N -  $\frac{**}{※1}$  -  $\frac{A}{※2}$   $\frac{*}{※3}$

#### ※1 Threaded Type 螺紋規格

1P: PT 2N: NPT 3G: PF(G) 4A: SAE 5B: BSP

#### ※2 Ports 接口

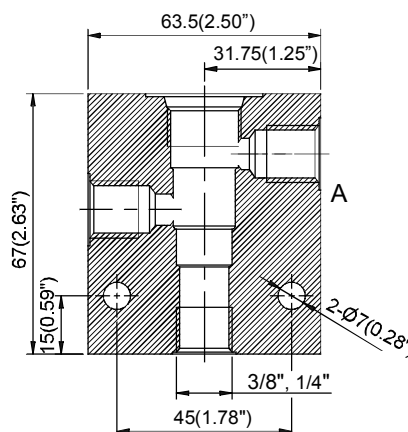
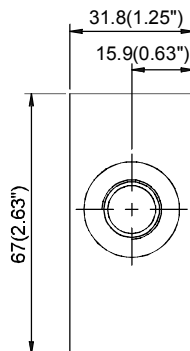
#### ※3 Body Material 閥體材質

NONE (Standard): Aluminum-alloy (Anodized) 無 (標準): 鋁合金(陽極處理)  
 D: Nodular Ductile-Iron (Galvanization) D: 球墨鑄鐵(鍍鋅)  
 S: Steel (Galvanization) S: 鋼質(鍍鋅)

### CAVITY 孔口 CS08-3N

Dimensions on Appendices-A 尺寸在附錄A

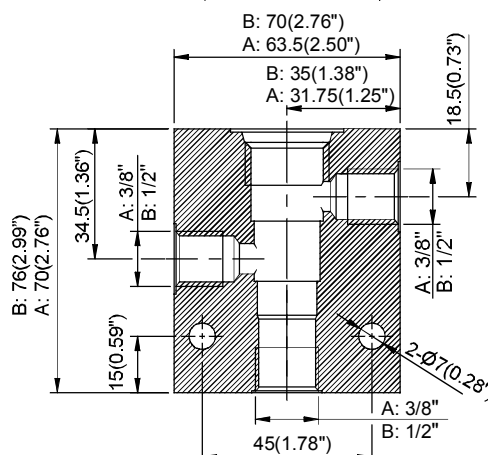
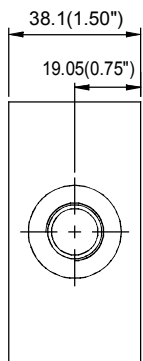
ORDERING CODE 訂購代號	Ports 接口	Weight 重量 Kg(lbs)
CS08-3N-**-A	3/8	0.37 (0.82 lbs)
	SAE6	
CS08-3N-**-B	1/4	
	SAE4	



### CAVITY 孔口 CS10-3N

Dimensions on Appendices-A 尺寸在附錄A

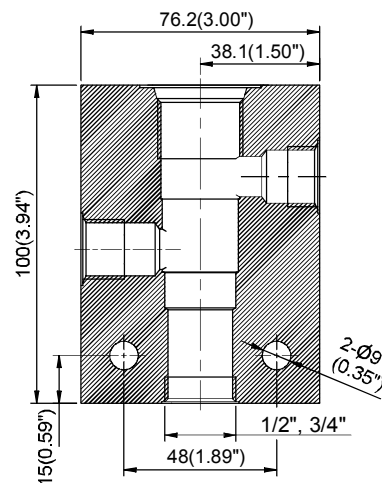
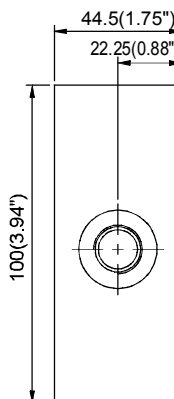
ORDERING CODE 訂購代號	Ports 接口	Weight 重量 Kg(lbs)
CS10-3N-**-A	3/8	0.46 (1.01 lbs)
	SAE6	
CS10-3N-**-B	1/2	0.55 (1.21 lbs)
	SAE8	



### CAVITY 孔口 CS12-3N

Dimensions on Appendices-A 尺寸在附錄A

ORDERING CODE 訂購代號	Ports 接口	Weight 重量 Kg(lbs)
CS12-3N-**-A	1/2	0.92 (2.03 lbs)
	SAE8	
CS12-3N-**-B	3/4	
	SAE12	



**MAX.PRESSURE 3600 psi (250 bar)**

### FEATURES

Note: The maximum allowable pressure for the standard aluminum-alloy valves is 250 bar; we also supply the nodular ductile-iron and steel valves; contact our factory for details  
 註: 標準閥塊鋁合金最大壓力250bar, 另提供球墨鑄鐵及鋼製閥塊, 請聯繫工廠。

# STANDARD MANIFOLDS

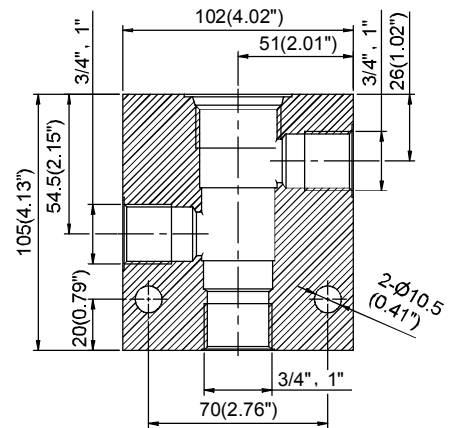
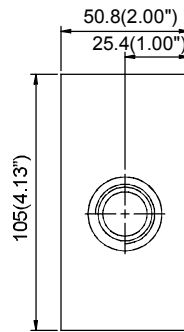
CSXX-3N

標準油路板

<b>ORDER THE EXPLANATION</b> 訂購說明	<b>CS16 - 3N - ** - A *</b> <small>※1    ※2    ※3</small>
	※1 <b>Threaded Type</b> 螺紋規格 1P: PT 2N: NPT 3G: PF(G) 4A: SAE 5B: BSP ※2 <b>Ports</b> 接口 ※3 <b>Body Material</b> 閥體材質 NONE (Standard): Aluminum-alloy (Anodized) 無 (標準): 鋁合金(陽極處理) D: Nodular Ductile-Iron (Galvanization) D: 球墨鑄鐵(鍍鋅) S: Steel (Galvanization) S: 鋼質(鍍鋅)

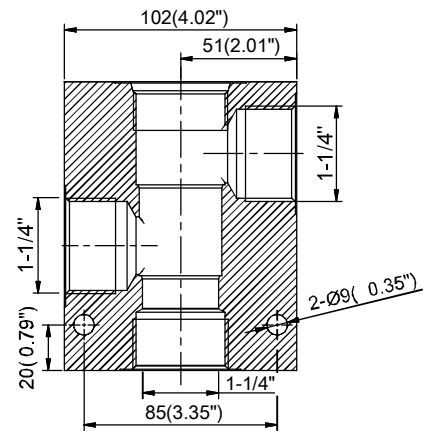
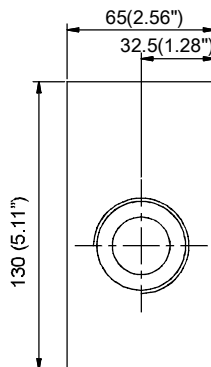
<b>CAVITY</b> 孔口	<b>CS16-3N</b>
Dimensions on Appendices-A	尺寸在附錄A

ORDERING CODE 訂購代號	Ports 接口	Weight 重量 Kg(lbs)
CS16-3N-**-A	3/4	1.47 (3.24 lbs)
	SAE12	
CS16-3N-**-B	1	
	SAE16	



<b>CAVITY</b> 孔口	<b>CS20-3N</b>
Dimensions on Appendices-A	尺寸在附錄A

ORDERING CODE 訂購代號	Ports 接口	Weight 重量 Kg(lbs)
CS20-3N-**-A	1-1/4	2.33 (5.14 lbs)
	SAE20	



Appendices-B

附錄-B

**MAX.PRESSURE**    **3600 psi**  
**(250 bar)**

## FEATURES

Note: The maximum allowable pressure for the standard aluminum-alloy valves is 250 bar; we also supply the nodular ductile-iron and steel valves; contact our factory for details  
 註: 標準閥塊鋁合金最大壓力250bar, 另提供球墨鑄鐵及鋼製閥塊, 請聯繫工廠。



### ORDER THE EXPLANATION

訂購說明

CS08 - 3S -  $\frac{**}{※1}$  -  $\frac{A}{※2}$   $\frac{*}{※3}$

#### ※1 Threaded Type 螺紋規格

1P: PT 2N: NPT 3G: PF(G) 4A: SAE 5B: BSP

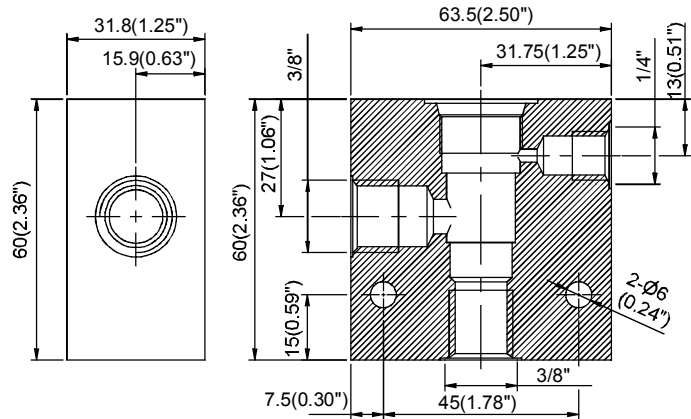
#### ※2 Ports 接口

#### ※3 Body Material 閥體材質

NONE (Standard): Aluminum-alloy (Anodized) 無 (標準): 鋁合金(陽極處理)  
 D: Nodular Ductile-Iron (Galvanization) D: 球墨鑄鐵(鍍鋅)  
 S: Steel (Galvanization) S: 鋼質(鍍鋅)

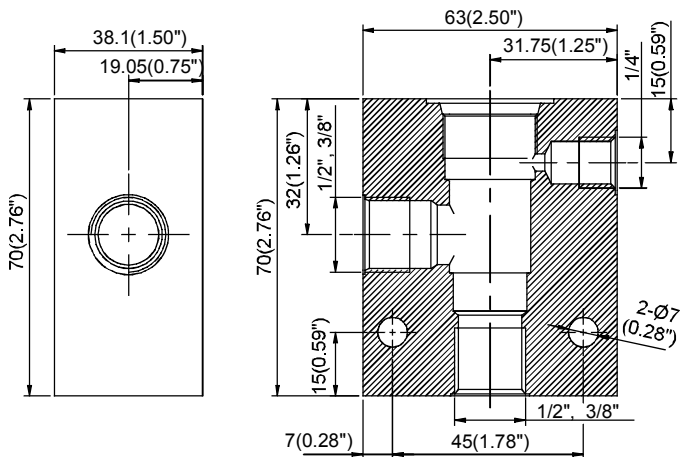
<b>CAVITY</b> 孔口	<b>CS08-3S</b>
Dimensions on Appendices-A	尺寸在附錄A

ORDERING CODE 訂購代號	Ports 接口	Weight 重量 Kg(lbs)
CS08-3S-**-A	3/8	0.33 (0.73 lbs)
	SAE6	



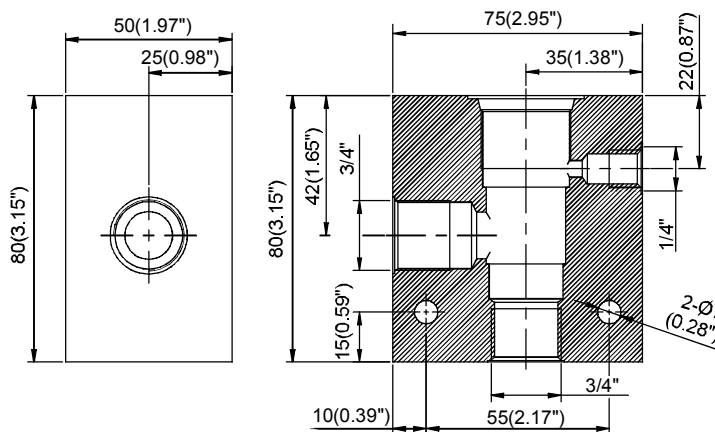
<b>CAVITY</b> 孔口	<b>CS10-3S</b>
Dimensions on Appendices-A	尺寸在附錄A

ORDERING CODE 訂購代號	Ports 接口	Weight 重量 Kg(lbs)
CS10-3S-**-A	1/2	0.46 (1.01 lbs)
	SAE8	
CS10-3S-**-B	3/8	0.46 (1.01 lbs)
	SAE6	



<b>CAVITY</b> 孔口	<b>CS12-3S</b>
Dimensions on Appendices-A	尺寸在附錄A

ORDERING CODE 訂購代號	Ports 接口	Weight 重量 Kg(lbs)
CS12-3S-**-A	3/4	0.81 (1.79 lbs)
	SAE12	



**MAX.PRESSURE** 3600 psi (250 bar)

### FEATURES

Note: The maximum allowable pressure for the standard aluminum-alloy valves is 250 bar; we also supply the nodular ductile-iron and steel valves; contact our factory for details  
 註: 標準閥塊鋁合金最大壓力250bar, 另提供球墨鑄鐵及鋼製閥塊, 請聯繫工廠。

# STANDARD MANIFOLDS

CSXX-3S

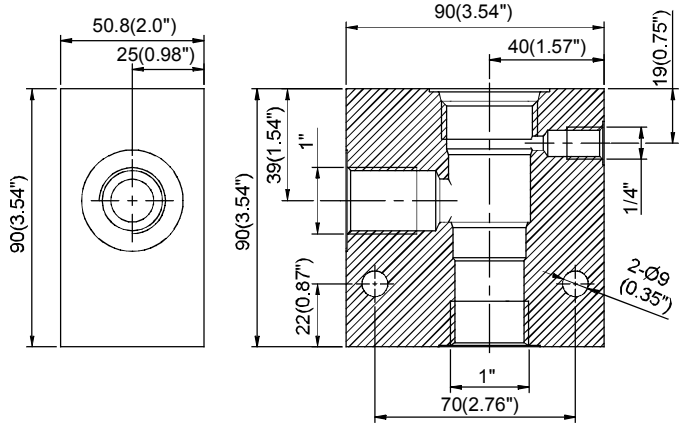
標準油路板



<b>ORDER THE EXPLANATION</b> 訂購說明	<b>CS16 - 3S - ** - A *</b> ※1    ※2    ※3
<p>※1 <b>Threaded Type</b> 螺紋規格 1P: PT 2N: NPT 3G: PF(G) 4A: SAE 5B: BSP</p> <p>※2 <b>Ports</b> 接口</p> <p>※3 <b>Body Material</b> 閥體材質 NONE (Standard): Aluminum-alloy (Anodized) 無 (標準): 鋁合金(陽極處理) D: Nodular Ductile-Iron (Galvanization) D: 球墨鑄鐵(鍍鋅) S: Steel (Galvanization) S: 鋼質(鍍鋅)</p>	

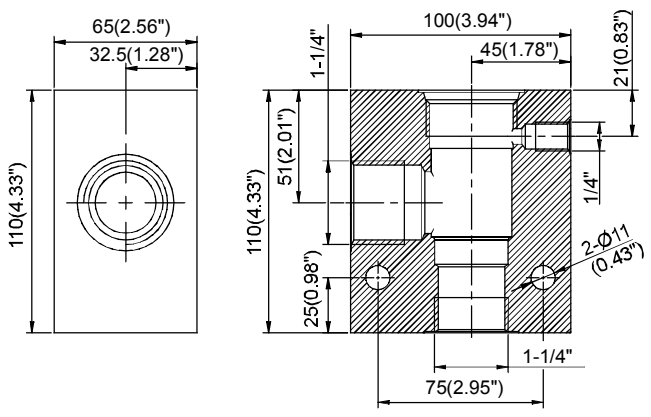
<b>CAVITY</b> 孔口	<b>CS16-3S</b>
Dimensions on Appendices-A 尺寸在附錄A	

ORDERING CODE 訂購代號	Ports 接口	Weight 重量 Kg(lbs)
CS16-3S-**-A	1	1.11 (2.45 lbs)
	SAE16	



<b>CAVITY</b> 孔口	<b>CS20-3S</b>
Dimensions on Appendices-A 尺寸在附錄A	

ORDERING CODE 訂購代號	Ports 接口	Weight 重量 Kg(lbs)
CS20-3S-**-A	1-1/4	1.93 (4.25 lbs)
	SAE20	



Appendices-B

附錄-B

**MAX.PRESSURE**    **3600 psi**  
**(250 bar)**

**FEATURES**

Note: The maximum allowable pressure for the standard aluminum-alloy valves is 250 bar; we also supply the nodular ductile-iron and steel valves; contact our factory for details  
註: 標準閥塊鋁合金最大壓力250bar, 另提供球墨鑄鐵及鋼製閥塊, 請聯繫工廠。

### ORDER THE EXPLANATION

訂購說明

CS08 - 4N -  $\frac{**}{※1}$  -  $\frac{A}{※2}$   $\frac{*}{※3}$

#### ※1 Threaded Type 螺紋規格

1P: PT 2N: NPT 3G: PF(G) 4A: SAE 5B: BSP

#### ※2 Ports 接口

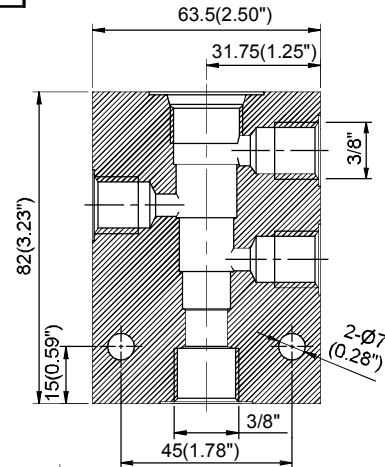
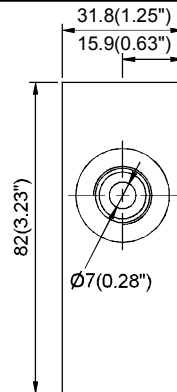
#### ※3 Body Material 閥體材質

NONE (Standard): Aluminum-alloy (Anodized) 無 (標準): 鋁合金(陽極處理)  
 D: Nodular Ductile-Iron (Galvanization) D: 球墨鑄鐵(鍍鋅)  
 S: Steel (Galvanization) S: 鋼質(鍍鋅)

### CAVITY 孔口 CS08-4N

Dimensions on Appendices-A 尺寸在附錄A

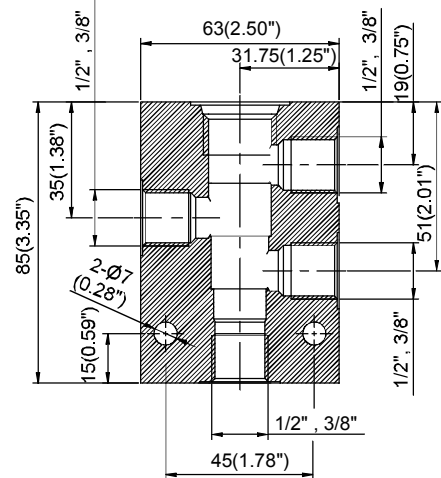
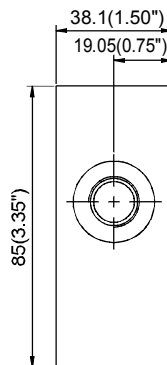
ORDERING CODE 訂購代號	Ports 接口	Weight 重量 Kg(lbs)
CS08-4N-**-A	3/8	0.45 (0.99 lbs)
	SAE6	



### CAVITY 孔口 CS10-4N

Dimensions on Appendices-A 尺寸在附錄A

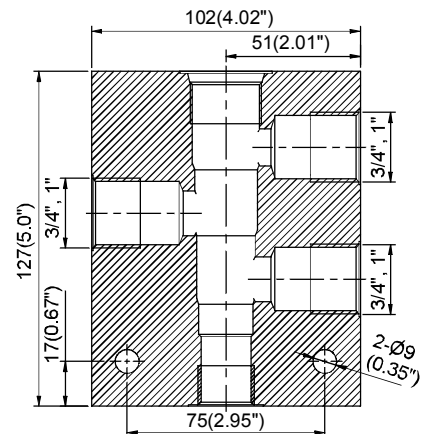
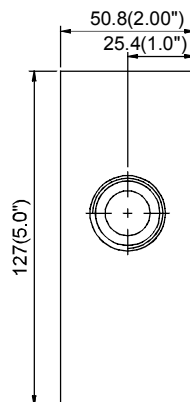
ORDERING CODE 訂購代號	Ports 接口	Weight 重量 Kg(lbs)
CS10-4N-**-A	1/2	0.55 (1.21 lbs)
	SAE8	
CS10-4N-**-B	3/8	
	SAE6	



### CAVITY 孔口 CS12-4N

Dimensions on Appendices-A 尺寸在附錄A

ORDERING CODE 訂購代號	Ports 接口	Weight 重量 Kg(lbs)
CS12-4N-**-A	3/4	1.78 (3.92 lbs)
	SAE12	
CS12-4N-**-B	1	
	SAE16	



### FEATURES

**MAX.PRESSURE 3600 psi (250 bar)**

Note: The maximum allowable pressure for the standard aluminum-alloy valves is 250 bar; we also supply the nodular ductile-iron and steel valves; contact our factory for details  
 註: 標準閥塊鋁合金最大壓力250bar, 另提供球墨鑄鐵及鋼製閥塊, 請聯繫工廠。

# STANDARD MANIFOLDS

CSXX-4N

標準油路板



## ORDER THE EXPLANATION

訂購說明

CS16 - 4N -  $\frac{**}{※1}$  -  $\frac{A}{※2 ※3}$

### ※1 Threaded Type 螺紋規格

1P: PT 2N: NPT 3G: PF(G) 4A: SAE 5B: BSP

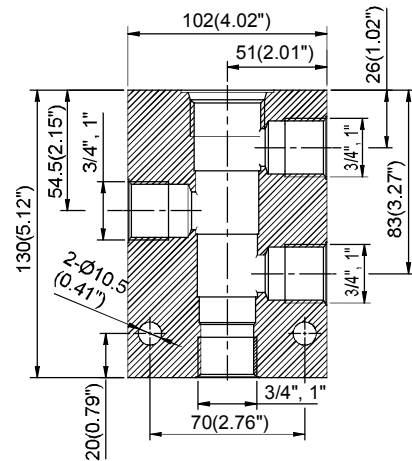
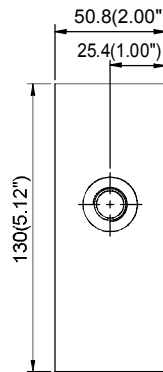
### ※2 Ports 接口

### ※3 Body Material 閥體材質

NONE (Standard): Aluminum-alloy (Anodized) 無 (標準): 鋁合金(陽極處理)  
 D: Nodular Ductile-Iron (Galvanization) D: 球墨鑄鐵(鍍鋅)  
 S: Steel (Galvanization) S: 鋼質(鍍鋅)

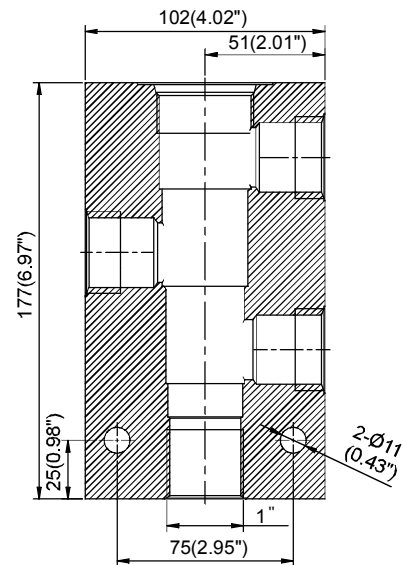
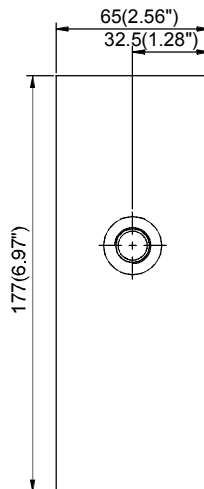
<b>CAVITY</b> 孔口	<b>CS16-4N</b>
Dimensions on Appendices-A 尺寸在附錄A	

ORDERING CODE 訂購代號	Ports 接口	Weight 重量 Kg(lbs)
CS16-4N-**-A	3/4	1.82 (4.01 lbs)
	SAE12	
CS16-4N-**-B	1	
	SAE16	



<b>CAVITY</b> 孔口	<b>CS20-4N</b>
Dimensions on Appendices-A 尺寸在附錄A	

ORDERING CODE 訂購代號	Ports 接口	Weight 重量 Kg(lbs)
CS20-4N-**-A	1	3.17 (6.99 lbs)
	SAE16	



Appendices-B

附錄-B

**MAX.PRESSURE** 3600 psi  
(250 bar)

## FEATURES

Note: The maximum allowable pressure for the standard aluminum-alloy valves is 250 bar; we also supply the nodular ductile-iron and steel valves; contact our factory for details  
 註: 標準閥塊鋁合金最大壓力250bar, 另提供球墨鑄鐵及鋼製閥塊, 請聯繫工廠。

### ORDER THE EXPLANATION

訂購說明

CS10A - 4N - **\*\*** - **A** **\***

※1      ※2      ※3

#### ※1 Threaded Type 螺紋規格

1P: PT 2N: NPT 3G: PF(G) 4A: SAE 5B: BSP

#### ※2 Ports 接口

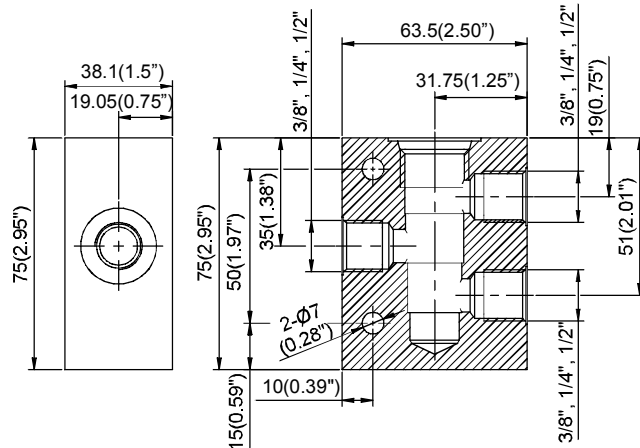
#### ※3 Body Material 閥體材質

NONE (Standard): Aluminum-alloy (Anodized)      無 (標準): 鋁合金(陽極處理)  
 D: Nodular Ductile-Iron (Galvanization)      D: 球墨鑄鐵(鍍鋅)  
 S: Steel (Galvanization)      S: 鋼質(鍍鋅)

### CAVITY 孔口 CS10A-4N

Dimensions on Appendices-A 尺寸在附錄A

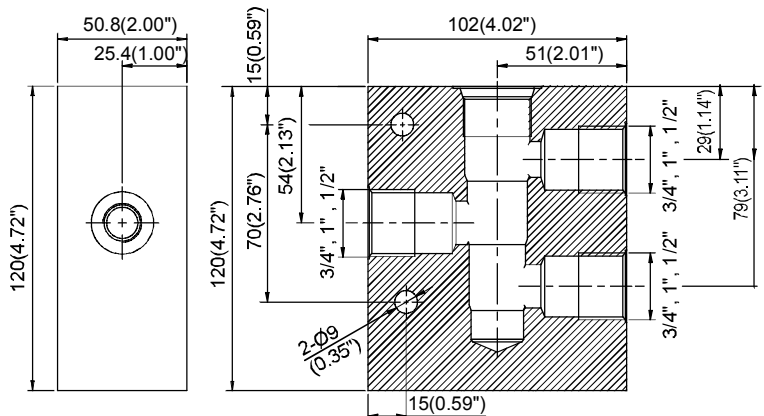
ORDERING CODE 訂購代號	Ports 接口	Weight 重量 Kg(lbs)
CS10A-4N-**-A	3/8	0.49 (1.01 lbs)
	SAE6	
CS10A-4N-**-B	1/4	
	SAE4	
CS10A-4N-**-C	1/2	
	SAE8	



### CAVITY 孔口 CS12A-4N

Dimensions on Appendices-A 尺寸在附錄A

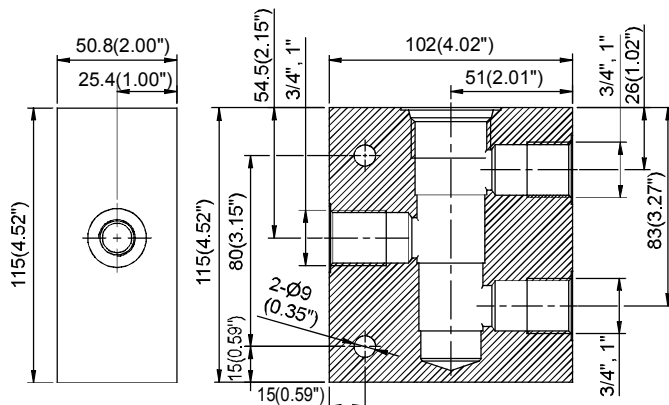
ORDERING CODE 訂購代號	Ports 接口	Weight 重量 Kg(lbs)
CS12A-4N-**-A	3/4	1.68 (3.70 lbs)
	SAE12	
CS12A-4N-**-B	1	
	SAE16	
CS12A-4N-**-C	1/2	
	SAE8	



### CAVITY 孔口 CS16A-4N

Dimensions on Appendices-A 尺寸在附錄A

ORDERING CODE 訂購代號	Ports 接口	Weight 重量 Kg(lbs)
CS16A-4N-**-A	3/4	1.61 (3.55 lbs)
	SAE12	
CS16A-4N-**-B	1	
	SAE16	



**MAX.PRESSURE 3600 psi (250 bar)**

### FEATURES

Note: The maximum allowable pressure for the standard aluminum-alloy valves is 250 bar; we also supply the nodular ductile-iron and steel valves; contact our factory for details  
 註: 標準閥塊鋁合金最大壓力250bar, 另提供球墨鑄鐵及鋼製閥塊, 請聯繫工廠。

# STANDARD MANIFOLDS

CST-XXA

標準油路板

## ORDER THE EXPLANATION 訂購說明

CST - 2A - \*\* - A \*  
※1 ※2 ※3

### ※1 Threaded Type 螺紋規格

1P: PT 2N: NPT 3G: PF(G) 4A: SAE 5B: BSP

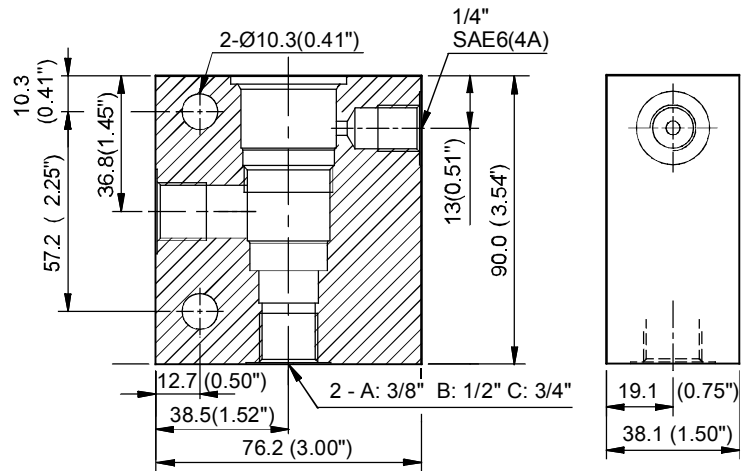
### ※2 Ports 接口

### ※3 Body Material 閥體材質

NONE (Standard): Aluminum-alloy (Anodized) 無 (標準): 鋁合金(陽極處理)  
D: Nodular Ductile-Iron (Galvanization) D: 球墨鑄鐵(鍍鋅)  
S: Steel (Galvanization) S: 鋼質(鍍鋅)

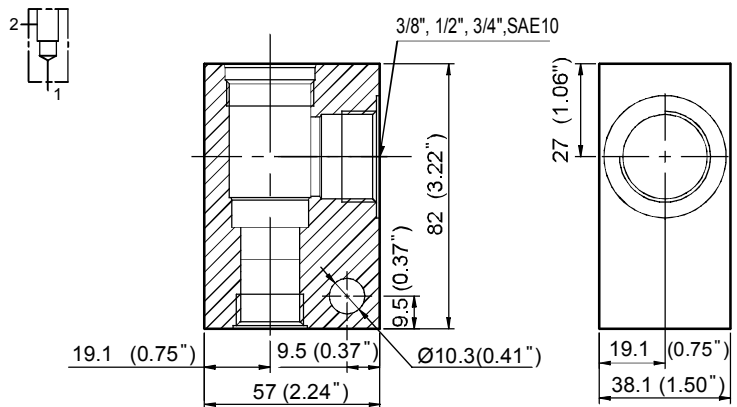
## CAVITY 孔口 CST-2A Dimensions on Appendices-A 尺寸在附錄A

ORDERING CODE 訂購代號	Ports 接口	Weight 重量 Kg(lbs)
CST-2A-**-A	3/8 SAE6	0.65 (1.43 lbs)
CST-2A-**-B	1/2 SAE8	
CST-2A-**-C	3/4 SAE12	



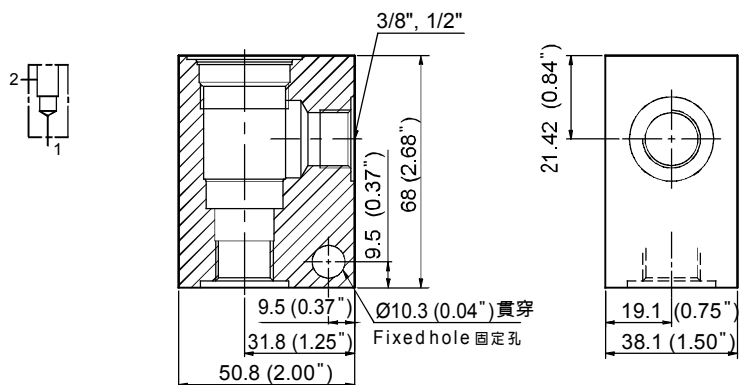
## CAVITY 孔口 CST-3A Dimensions on Appendices-A 尺寸在附錄A

ORDERING CODE 訂購代號	Ports 接口	Weight 重量 Kg(lbs)
CST-3A-**-A	3/8 SAE6	0.48 (1.06 lbs)
CST-3A-**-B	1/2 SAE8	
CST-3A-**-C	3/4 SAE12	
CST-3A-**-D	SAE10	



## CAVITY 孔口 CST-5A Dimensions on Appendices-A 尺寸在附錄A

ORDERING CODE 訂購代號	Ports 接口	Weight 重量 Kg(lbs)
CST-5A-**-A	3/8 SAE6	0.38 (0.84lbs)
CST-5A-**-B	1/2 SAE8	



## FEATURES

**MAX.PRESSURE 3600 psi (250 bar)**

Note: The maximum allowable pressure for the standard aluminum-alloy valves is 250 bar; we also supply the nodular ductile-iron and steel valves; contact our factory for details  
註:標準閥塊鋁合金最大壓力250bar, 另提供球墨鑄鐵及鋼製閥塊,請聯繫工廠。

## ORDER THE EXPLANATION

訂購說明

CST - 8A - \*\* - A \*

### ※1 Threaded Type 螺紋規格

1P: PT 2N: NPT 3G: PF(G) 4A: SAE 5B: BSP

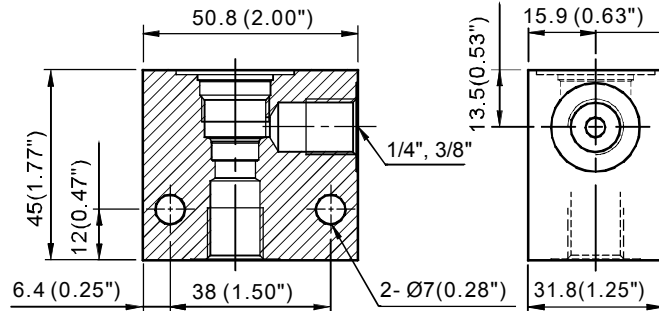
### ※2 Ports 接口

### ※3 Body Material 閥體材質

NONE (Standard): Aluminum-alloy (Anodized) 無 (標準): 鋁合金(陽極處理)  
 D: Nodular Ductile-Iron (Galvanization) D: 球墨鑄鐵(鍍鋅)  
 S: Steel (Galvanization) S: 鋼質(鍍鋅)

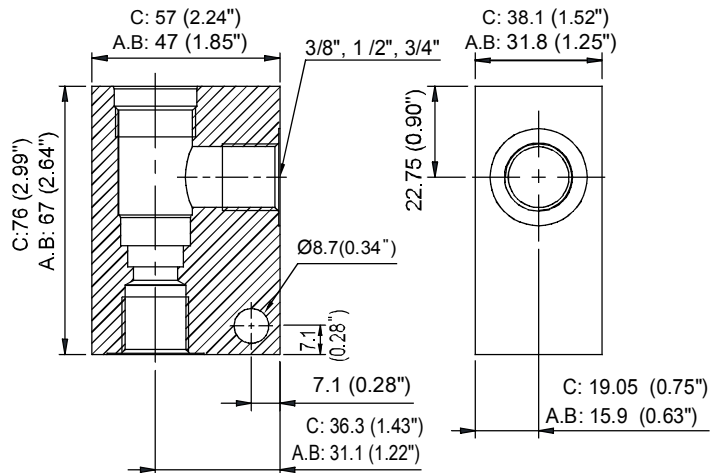
<b>CAVITY 孔口</b>	<b>CST-8A</b>
Dimensions on Appendices-A	尺寸在附錄A

ORDERING CODE 訂購代號	Ports 接口	Weight 重量 Kg(lbs)
CST- 8A - ** - A	1/4	0.24 (0.44 lbs)
	SAE4	
CST- 8A - ** - B	3/8	
	SAE6	



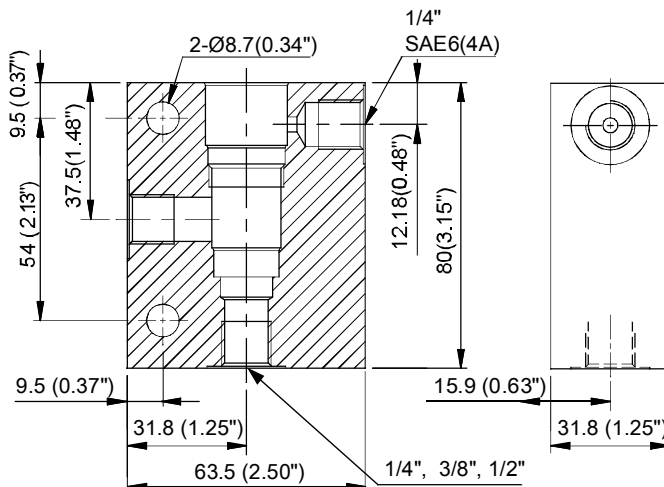
<b>CAVITY 孔口</b>	<b>CST-10A</b>
Dimensions on Appendices-A	尺寸在附錄A

ORDERING CODE 訂購代號	Ports 接口	Weight 重量 Kg(lbs)
CST-10A- ** - A	3/8	0.27 (0.60 lbs)
	SAE6	
CST-10A- ** - B	1/2	
	SAE8	
CST-10A- ** - C	3/4	0.45 (0.99 lbs)
	SAE12	



<b>CAVITY 孔口</b>	<b>CST-11A</b>
Dimensions on Appendices-A	尺寸在附錄A

ORDERING CODE 訂購代號	Ports 接口	Weight 重量 Kg(lbs)
CST-11A- ** - A	1/4	0.44 (0.97 lbs)
	SAE4	
CST-11A- ** - B	3/8	
	SAE6	
CST-11A- ** - C	1/2	
	SAE8	



**MAX.PRESSURE 3600 psi (250 bar)**

## FEATURES

Note: The maximum allowable pressure for the standard aluminum-alloy valves is 250 bar; we also supply the nodular ductile-iron and steel valves; contact our factory for details  
 註: 標準閥塊鋁合金最大壓力250bar, 另提供球墨鑄鐵及鋼製閥塊, 請聯繫工廠。

# STANDARD MANIFOLDS

CST-XXA

標準油路板

## ORDER THE EXPLANATION

訂購說明

CST - 13A - \*\* - A \*  
※1    ※2    ※3

### ※1 Threaded Type 螺紋規格

1P: PT 2N: NPT 3G: PF(G) 4A: SAE 5B: BSP

### ※2 Ports 接口

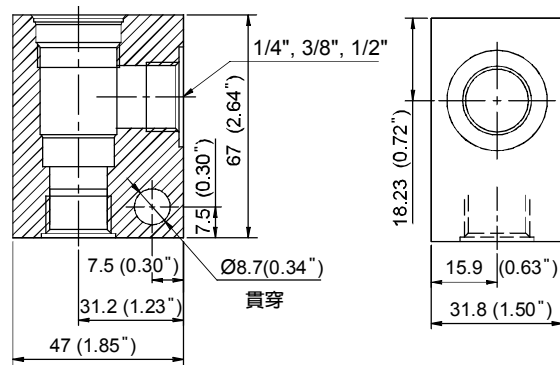
### ※3 Body Material 閥體材質

NONE (Standard): Aluminum-alloy (Anodized) 無 (標準): 鋁合金(陽極處理)  
 D: Nodular Ductile-Iron (Galvanization) D: 球墨鑄鐵(鍍鋅)  
 S: Steel (Galvanization) S: 鋼質(鍍鋅)

## CAVITY 孔口 CST-13A

Dimensions on Appendices-A 尺寸在附錄A

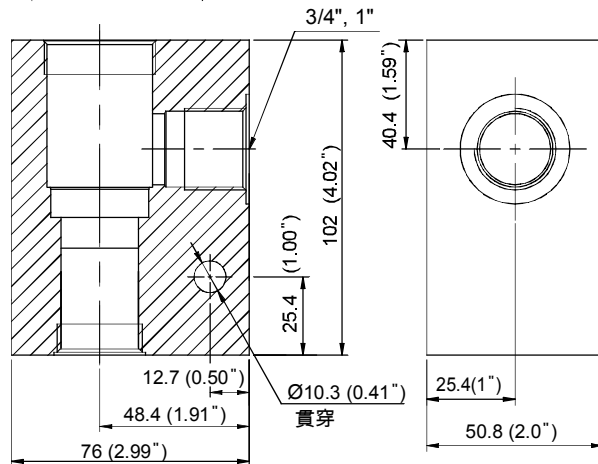
ORDERING CODE 訂購代號	Ports 接口	Weight 重量 Kg(lbs)
CST-13A-**-A	1/4 SAE4	0.27 (0.60 lbs)
CST-13A-**-B	3/8 SAE6	
CST-13A-**-C	1/2 SAE8	



## CAVITY 孔口 CST-16A

Dimensions on Appendices-A 尺寸在附錄A

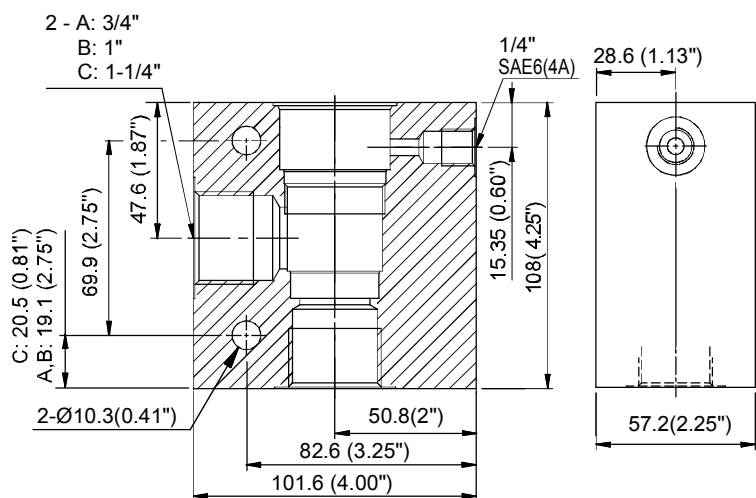
ORDERING CODE 訂購代號	Ports 接口	Weight 重量 Kg(lbs)
CST-16A-**-A	3/4 SAE12	1.06 (2.34 lbs)
CST-16A-**-B	1 SAE16	



## CAVITY 孔口 CST-17A

Dimensions on Appendices-A 尺寸在附錄A

ORDERING CODE 訂購代號	Ports 接口	Weight 重量 Kg(lbs)
CST-17A-**-A	3/4 SAE12	1.69 (3.73 lbs)
CST-17A-**-B	1 SAE16	
CST-17A-**-C	1-1/4 SAE20	



## FEATURES

**MAX.PRESSURE 3600 psi (250 bar)**

Note: The maximum allowable pressure for the standard aluminum-alloy valves is 250 bar; we also supply the nodular ductile-iron and steel valves; contact our factory for details  
 註: 標準閥塊鋁合金最大壓力250bar, 另提供球墨鑄鐵及鋼製閥塊, 請聯繫工廠。



## ORDER THE EXPLANATION

訂購說明

CST - 18A -  $\frac{**}{※1}$  -  $\frac{A}{※2}$   $\frac{*}{※3}$

### ※1 Threaded Type 螺紋規格

NONE (Standard): Flange type 無 (標準): 法蘭型  
 1P: PT 2N: NPT 3G: PF(G) 4A: SAE 5B: BSP

### ※2 Ports 接口

### ※3 Body Material 閥體材質

NONE (Standard): Aluminum-alloy (Anodized) 無 (標準): 鋁合金(陽極處理)  
 D: Nodular Ductile-Iron (Galvanization) D: 球墨鑄鐵(鍍鋅)  
 S: Steel (Galvanization) S: 鋼質(鍍鋅)

## CAVITY 孔口

## CST-18A

Dimensions on Appendices-A 尺寸在附錄A

ORDERING CODE 訂購代號	Ports 接口	Weight 重量 Kg(lbs)
CST-18A-A (*)	1-1/2	2.83 (6.24 lbs)
CST-18A-**-B	1-1/4 SAE20	1.97 (4.34 lbs)
CST-18A-**-C	1 SAE16	
CST-18A-**-D	1-1/2 SAE24	

(\*) Flange type only. 僅限法蘭型。  
 Note: For further information, such like: Dimensions of Threaded type and Flange type..... Please contact us.  
 註: 對於詳細的資訊,像是:螺紋型及法蘭型的法蘭尺寸等.....請與我們聯絡。

## CAVITY 孔口

## CST-19A

Dimensions on Appendices-A 尺寸在附錄A

ORDERING CODE 訂購代號	Ports 接口	Weight 重量 Kg(lbs)
CST-19A-A (*)	1-1/2	2.80 (6.17 lbs)
CST-19A-**-B	1-1/4 SAE20	2.65 (5.84 lbs)
CST-19A-**-C	1-1/2 SAE24	

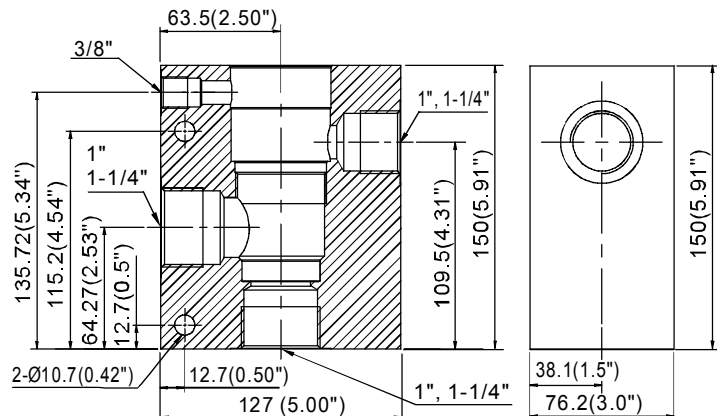
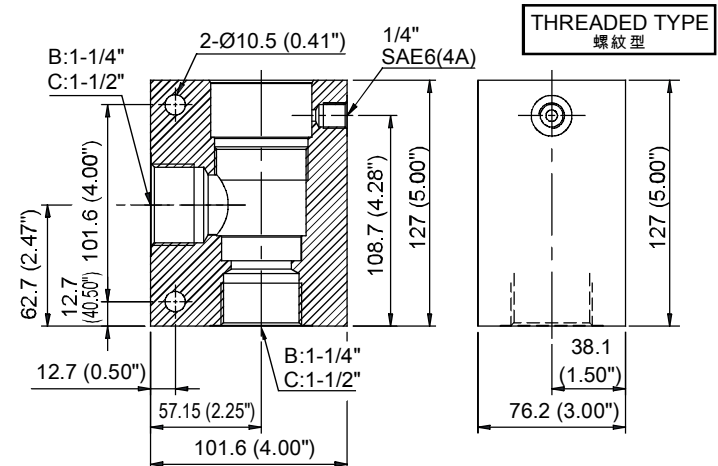
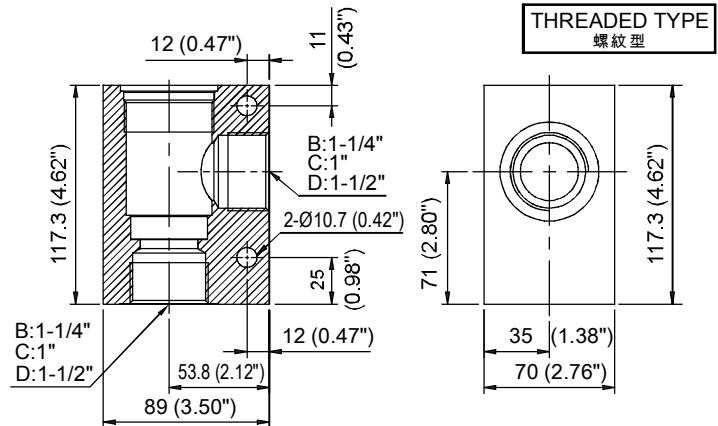
(\*) Flange type only. 僅限法蘭型。  
 Note: For further information, such like: Dimensions of Threaded type and Flange type..... Please contact us.  
 註: 對於詳細的資訊,像是:螺紋型及法蘭型的法蘭尺寸等.....請與我們聯絡。

## CAVITY 孔口

## CST-24A

Dimensions on Appendices-A 尺寸在附錄A

ORDERING CODE 訂購代號	Ports 接口	Weight 重量 Kg(lbs)
CST-24A-**-A	1 SAE16	3.92 (8.64 lbs)
CST-24A-**-B	1-1/4 SAE20	



## FEATURES

Note: The maximum allowable pressure for the standard aluminum-alloy valves is 250 bar; we also supply the nodular ductile-iron and steel valves; contact our factory for details  
 註: 標準閥塊鋁合金最大壓力250bar, 另提供球墨鑄鐵及鋼製閥塊, 請聯繫工廠。

**MAX.PRESSURE 3600 psi (250 bar)**

# STANDARD MANIFOLDS

CST-XXA

標準油路板

## ORDER THE EXPLANATION

訂購說明

CST - 31A - \*\* - A \*

※1 ※2 ※3

### ※1 Threaded Type 螺紋規格

1P: PT 2N: NPT 3G: PF(G) 4A: SAE 5B: BSP

### ※2 Ports 接口

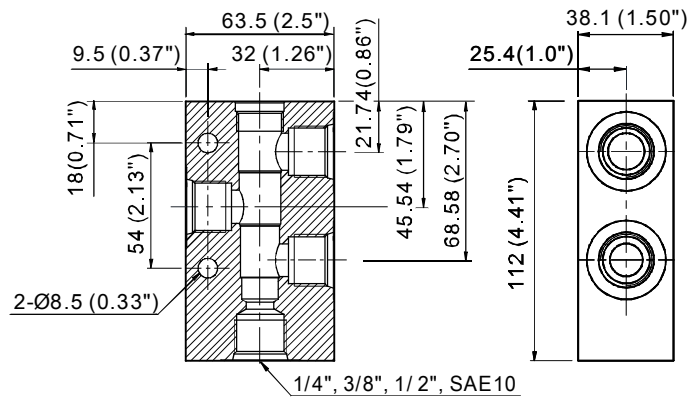
### ※3 Body Material 閥體材質

NONE (Standard): Aluminum-alloy (Anodized) 無 (標準): 鋁合金(陽極處理)  
 D: Nodular Ductile-Iron (Galvanization) D: 球墨鑄鐵(鍍鋅)  
 S: Steel (Galvanization) S: 鋼質(鍍鋅)

## CAVITY 孔口 CST-31A

Dimensions on Appendices-A 尺寸在附錄A

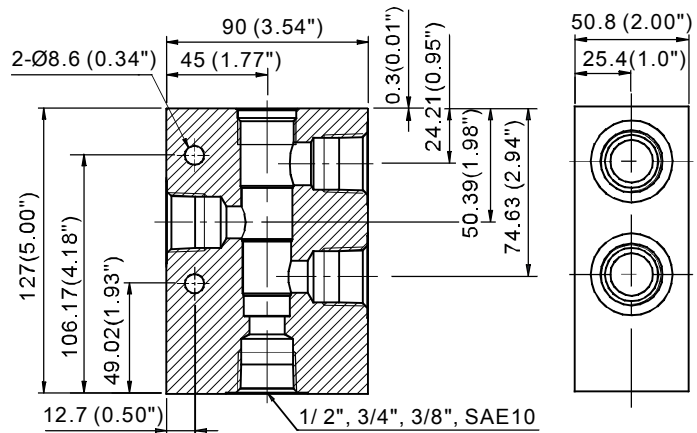
ORDERING CODE 訂購代號	Ports 接口	Weight 重量 Kg(lbs)
CST-31A-**-A	1/4	0.73 (1.61 lbs)
	SAE4	
CST-31A-**-B	3/8	
	SAE6	
CST-31A-**-C	1/2	
	SAE8	
CST-31A-**-D	SAE10	



## CAVITY 孔口 CST-32A

Dimensions on Appendices-A 尺寸在附錄A

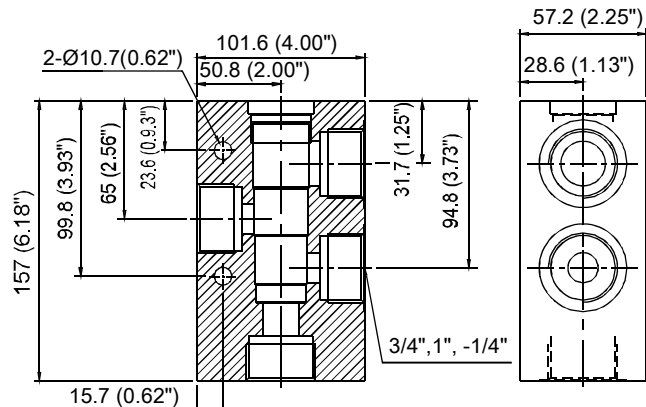
ORDERING CODE 訂購代號	Ports 接口	Weight 重量 Kg(lbs)
CST-32A-**-A	1/2	1.57 (3.46 lbs)
	SAE8	
CST-32A-**-B	3/4	
	SAE12	
CST-32A-**-C	3/8	
	SAE6	
CST-32A-**-D	SAE10	



## CAVITY 孔口 CST-33A

Dimensions on Appendices-A 尺寸在附錄A

ORDERING CODE 訂購代號	Ports 接口	Weight 重量 Kg(lbs)
CST-33A-**-A	3/4	2.46 (5.42 lbs)
	SAE12	
CST-33A-**-B	1	
	SAE16	
CST-33A-**-C	1-1/4	
	SAE20	



## FEATURES

**MAX.PRESSURE 3600 psi (250 bar)**

Note: The maximum allowable pressure for the standard aluminum-alloy valves is 250 bar; we also supply the nodular ductile-iron and steel valves; contact our factory for details  
 註: 標準閥塊鋁合金最大壓力250bar, 另提供球墨鑄鐵及鋼製閥塊, 請聯繫工廠。

## ORDER THE EXPLANATION

訂購說明

CST - 34A - \*\* - A \*

※1 ※2 ※3

### ※1 Threaded Type 螺紋規格

1P: PT 2N: NPT 3G: PF(G) 4A: SAE 5B: BSP

### ※2 Ports 接口

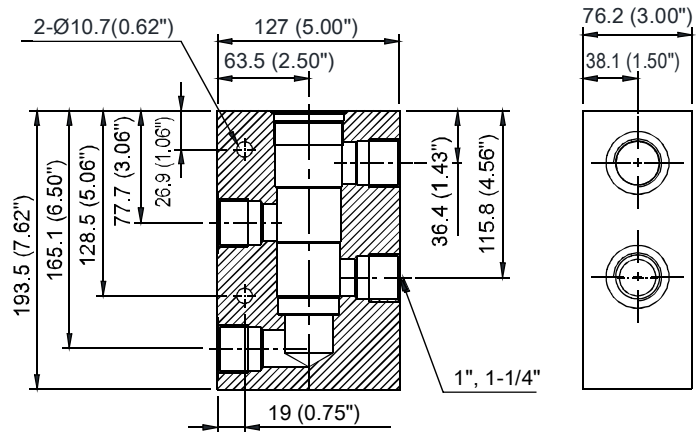
### ※3 Body Material 閥體材質

NONE (Standard): Aluminum-alloy (Anodized) 無 (標準): 鋁合金(陽極處理)  
 D: Nodular Ductile-Iron (Galvanization) D: 球墨鑄鐵(鍍鋅)  
 S: Steel (Galvanization) S: 鋼質(鍍鋅)

## CAVITY 孔口 CST-34A

Dimensions on Appendices-A 尺寸在附錄A

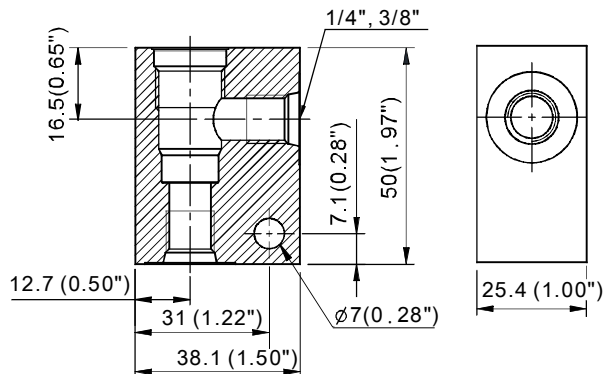
ORDERING CODE 訂購代號	Ports 接口	Weight 重量 Kg(lbs)
CST-34A-**-A	1	5.06 (11.16 lbs)
	SAE16	
CST-34A-**-B	1-1/4	
	SAE20	



## CAVITY 孔口 CST-162A

Dimensions on Appendices-A 尺寸在附錄A

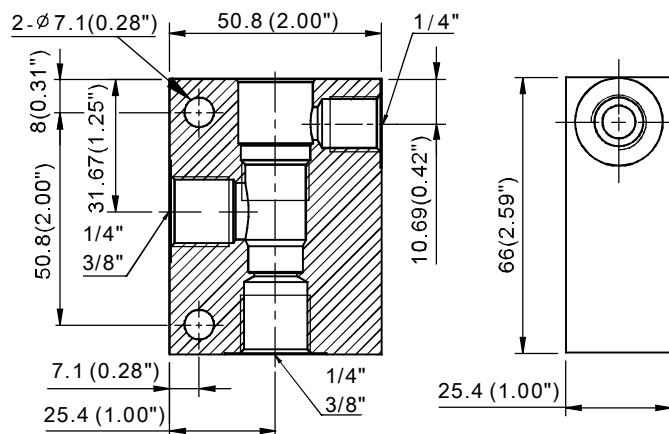
ORDERING CODE 訂購代號	Ports 接口	Weight 重量 Kg(lbs)
CST-162A-**-A	1/4	0.13 (0.29 lbs)
	SAE4	
CST-162A-**-B	3/8	
	SAE6	



## CAVITY 孔口 CST-163A

Dimensions on Appendices-A 尺寸在附錄A

ORDERING CODE 訂購代號	Ports 接口	Weight 重量 Kg(lbs)
CST-163A-**-A	1/4	0.23 (0.51 lbs)
	SAE4	
CST-163A-**-B	3/8	
	SAE6	



## FEATURES

**MAX.PRESSURE 3600 psi (250 bar)**

Note: The maximum allowable pressure for the standard aluminum-alloy valves is 250 bar; we also supply the nodular ductile-iron and steel valves; contact our factory for details  
 註: 標準閥塊鋁合金最大壓力250bar, 另提供球墨鑄鐵及鋼製閥塊, 請聯繫工廠。

# STANDARD MANIFOLDS

**CST-XXAS**

標準油路板

## ORDER THE EXPLANATION 訂購說明

CST - 31AS -  $\frac{**}{※1}$  -  $\frac{A}{※2}$   $\frac{*}{※3}$

### ※1 Threaded Type 螺紋規格

1P: PT 2N: NPT 3G: PF(G) 4A: SAE 5B: BSP

### ※2 Ports 接口

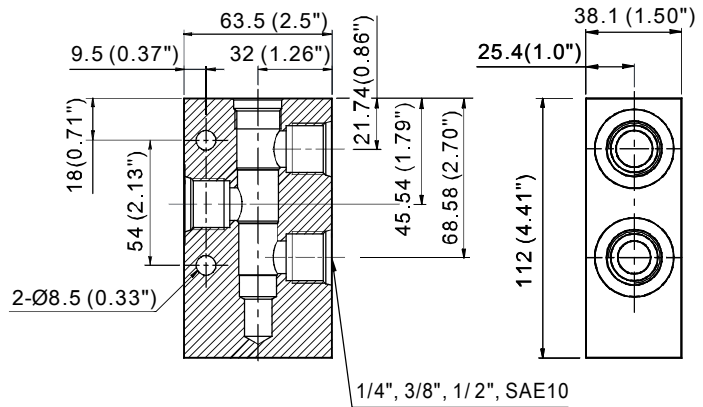
### ※3 Body Material 閥體材質

NONE (Standard): Aluminum-alloy (Anodized) 無 (標準): 鋁合金(陽極處理)  
D: Nodular Ductile-Iron (Galvanization) D: 球墨鑄鐵(鍍鋅)  
S: Steel (Galvanization) S: 鋼質(鍍鋅)

## CAVITY 孔口 CST-31AS

Dimensions on Appendices-A 尺寸在附錄A

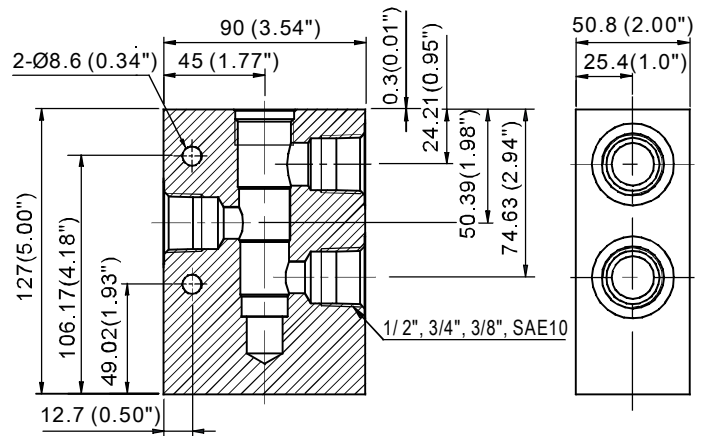
ORDERING CODE 訂購代號	Ports 接口	Weight 重量 Kg(lbs)
CST-31AS-**-A	1/4	0.73 (1.61 lbs)
	SAE4	
CST-31AS-**-B	3/8	
	SAE6	
CST-31AS-**-C	1/2	
	SAE8	
CST-31AS-**-D	SAE10	



## CAVITY 孔口 CST-32AS

Dimensions on Appendices-A 尺寸在附錄A

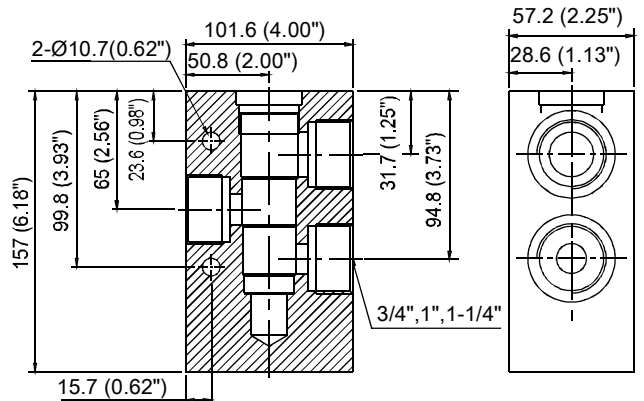
ORDERING CODE 訂購代號	Ports 接口	Weight 重量 Kg(lbs)
CST-32AS-**-A	1/2	1.57 (3.46 lbs)
	SAE8	
CST-32AS-**-B	3/4	
	SAE12	
CST-32AS-**-C	3/8	
	SAE6	
CST-32AS-**-D	SAE10	



## CAVITY 孔口 CST-33AS

Dimensions on Appendices-A 尺寸在附錄A

ORDERING CODE 訂購代號	Ports 接口	Weight 重量 Kg(lbs)
CST-33AS-**-A	3/4	2.46 (5.42 lbs)
	SAE12	
CST-33AS-**-B	1	
	SAE16	
CST-33AS-**-C	1-1/4	
	SAE20	



## FEATURES

**MAX.PRESSURE 3600 psi (250 bar)**

Note: The maximum allowable pressure for the standard aluminum-alloy valves is 250 bar; we also supply the nodular ductile-iron and steel valves; contact our factory for details  
註: 標準閥塊鋁合金最大壓力250bar, 另提供球墨鑄鐵及鋼製閥塊, 請聯繫工廠。

## ORDER THE EXPLANATION

訂購說明

CST - 34AS -  $\frac{**}{※1}$  -  $\frac{A}{※2}$   $\frac{*}{※3}$

### ※1 Threaded Type 螺紋規格

1P: PT 2N: NPT 3G: PF(G) 4A: SAE 5B: BSP

### ※2 Ports 接口

### ※3 Body Material 閥體材質

NONE (Standard): Aluminum-alloy (Anodized) 無 (標準): 鋁合金(陽極處理)  
 D: Nodular Ductile-Iron (Galvanization) D: 球墨鑄鐵(鍍鋅)  
 S: Steel (Galvanization) S: 鋼質(鍍鋅)

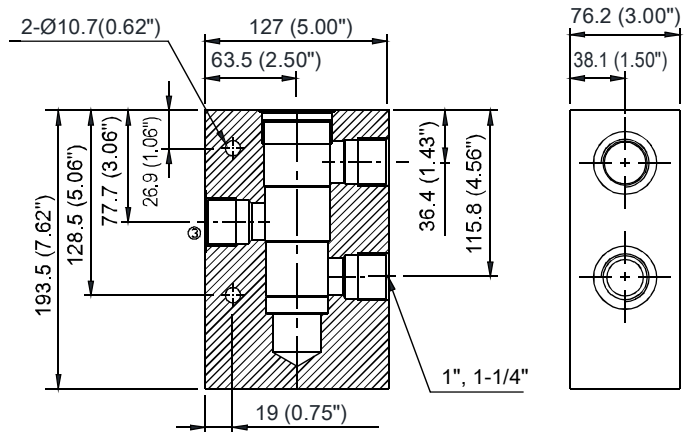
## CAVITY 孔口

## CST-34AS

Dimensions on Appendices-A

尺寸在附錄A

ORDERING CODE 訂購代號	Ports 接口	Weight 重量 Kg(lbs)
CST-34AS-**-A	1	5.06 (11.16 lbs)
	SAE 16	
CST-34AS-**-B	1-1/4	
	SAE20	



**MAX.PRESSURE** 3600 psi  
(250 bar)

## FEATURES

Note: The maximum allowable pressure for the standard aluminum-alloy valves is 250 bar; we also supply the nodular ductile-iron and steel valves; contact our factory for details  
 註: 標準閥塊鋁合金最大壓力250bar, 另提供球墨鑄鐵及鋼製閥塊, 請聯繫工廠。

# STANDARD MANIFOLDS

**CST-XXA XX**

標準油路板

## ORDER THE EXPLANATION 訂購說明

CST- 2A VG - \*\* - A \*  
※1 ※2 ※3

### ※1 Threaded Type 螺紋規格

1P: PT 2N: NPT 3G: PF(G) 4A: SAE 5B: BSP

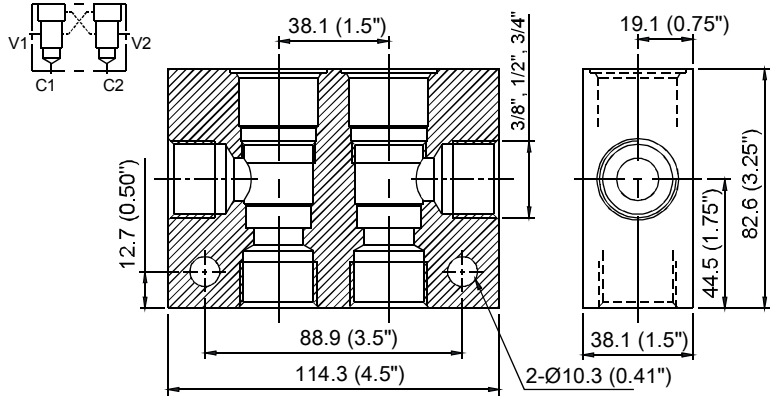
### ※2 Ports 接口

### ※3 Body Material 閥體材質

NONE (Standard): Aluminum-alloy (Anodized) 無 (標準): 鋁合金(陽極處理)  
D : Nodular Ductile-Iron (Galvanization) D : 球墨鑄鐵(鍍鋅)  
S : Steel (Galvanization) S : 鋼質(鍍鋅)

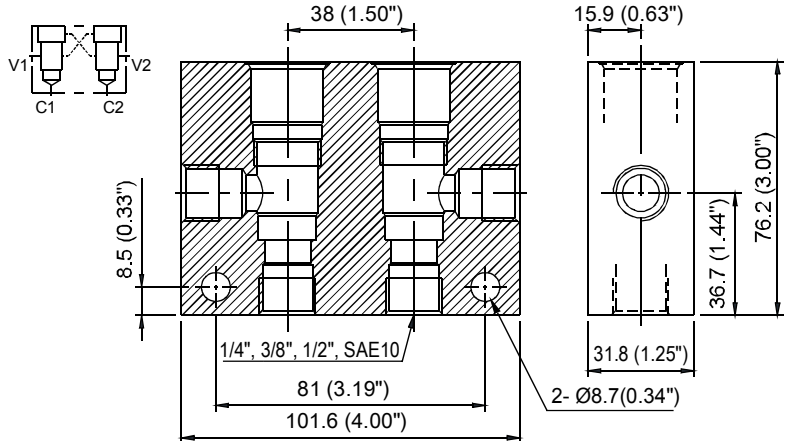
## CAVITY 孔口 CST-2A VG Dimensions on Appendices-A 尺寸在附錄A

ORDERING CODE 訂購代號	Ports 接口	Weight 重量 Kg(lbs)
CST-2A VG-**-A	3/8	0.97 (2.14 lbs)
	SAE6	
CST-2A VG-**-B	1/2	
	SAE8	
CST-2A VG-**-C	3/4	
	SAE12	



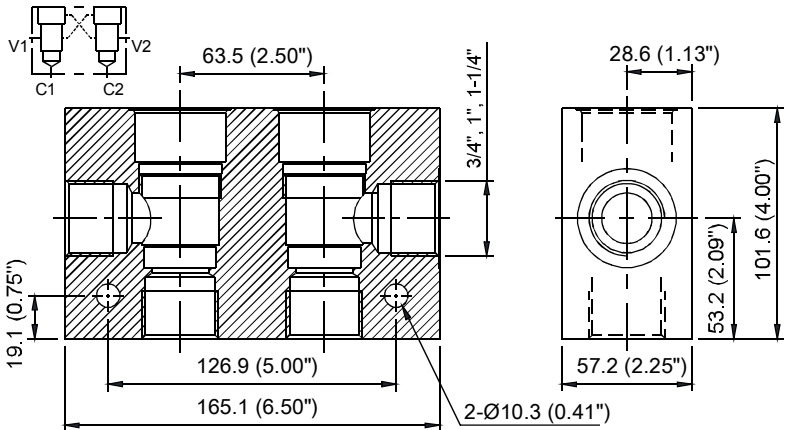
## CAVITY 孔口 CST-11A YE Dimensions on Appendices-A 尺寸在附錄A

ORDERING CODE 訂購代號	Ports 接口	Weight 重量 Kg(lbs)
CST-11A YE-**-A	1/4	0.66 (1.46 lbs)
	SAE4	
CST-11A YE-**-B	3/8	
	SAE6	
CST-11A YE-**-C	1/2	
	SAE8	
CST-11A YE-**-D	SAE 10	



## CAVITY 孔口 CST-17A YJ Dimensions on Appendices-A 尺寸在附錄A

ORDERING CODE 訂購代號	Ports 接口	Weight 重量 Kg(lbs)
CST-17A YJ-**-A	3/4	2.59 (5.71 lbs)
	SAE12	
CST-17A YJ-**-B	1	
	SAE16	
CST-17A YJ-**-C	1-1/4	
	SAE20	



## FEATURES

**MAX.PRESSURE 3600 psi (250 bar)**

Note: The maximum allowable pressure for the standard aluminum-alloy valves is 250 bar; we also supply the nodular ductile-iron and steel valves; contact our factory for details  
註:標準閥塊鋁合金最大壓力250bar, 另提供球墨鑄鐵及鋼製閥塊,請聯繫工廠。

### ORDER THE EXPLANATION

訂購說明

CST- 19A YM **\*\*** - **A** **\***

※1    ※2    ※3

#### ※1 Threaded Type 螺紋規格

1P: PT 2N: NPT 3G: PF(G) 4A: SAE 5B: BSP

#### ※2 Ports 接口

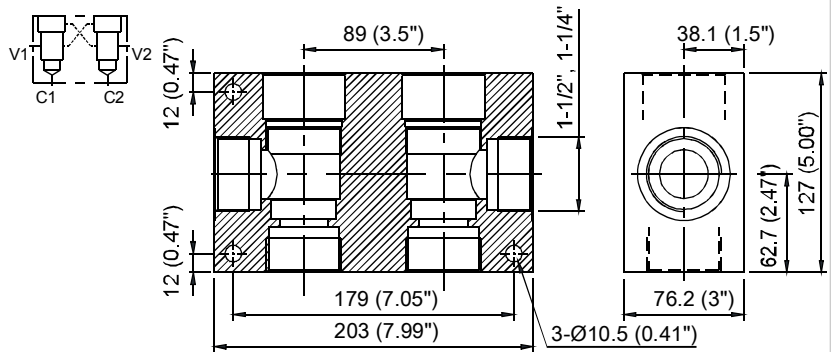
#### ※3 Body Material 閥體材質

NONE (Standard): Aluminum-alloy (Anodized)    無 (標準): 鋁合金(陽極處理)  
 D: Nodular Ductile-Iron (Galvanization)        D: 球墨鑄鐵(鍍鋅)  
 S: Steel (Galvanization)                            S: 鋼質(鍍鋅)

### CAVITY 孔口 CST-19A YM

Dimensions on Appendices-A 尺寸在附錄A

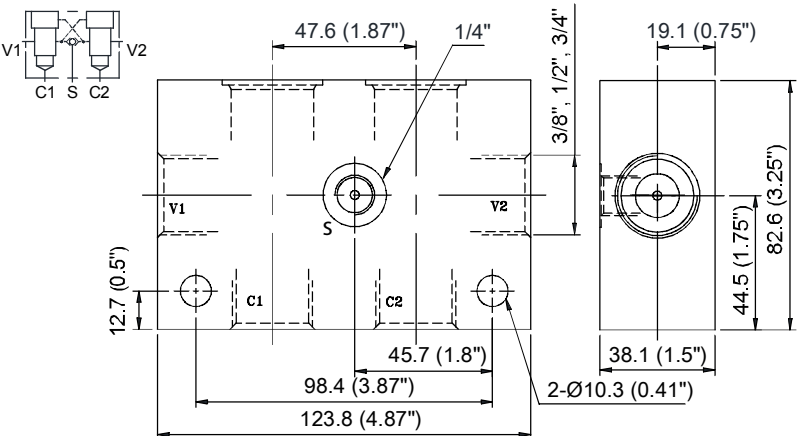
ORDERING CODE 訂購代號	Ports 接口	Weight 重量 Kg(lbs)
CST-19A YM-**-A	1-1/2	5.30 (11.68 lbs)
	SAE24	
CST-19A YM-**-B	1-1/4	
	SAE20	



### CAVITY 孔口 CST-2A YH

Dimensions on Appendices-A 尺寸在附錄A

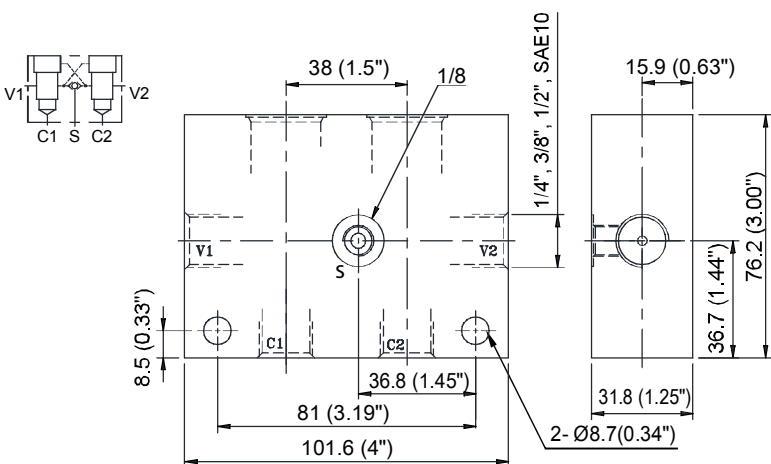
ORDERING CODE 訂購代號	Ports 接口	Weight 重量 Kg(lbs)
CST-2A YH-**-A	3/8	1.05 (2.31 lbs)
	SAE6	
CST-2A YH-**-B	1/2	
	SAE8	
CST-2A YH-**-C	3/4	
	SAE12	



### CAVITY 孔口 CST-11A YG

Dimensions on Appendices-A 尺寸在附錄A

ORDERING CODE 訂購代號	Ports 接口	Weight 重量 Kg(lbs)
CST-11A YG-**-A	1/4	0.66 (1.46 lbs)
	SAE4	
CST-11A YG-**-B	3/8	
	SAE6	
CST-11A YG-**-C	1/2	
	SAE8	
CST-11A YG-**-D	SAE10	



**MAX.PRESSURE 3600 psi (250 bar)**

### FEATURES

Note: The maximum allowable pressure for the standard aluminum-alloy valves is 250 bar; we also supply the nodular ductile-iron and steel valves; contact our factory for details  
 註: 標準閥塊鋁合金最大壓力250bar, 另提供球墨鑄鐵及鋼製閥塊, 請聯繫工廠。

# STANDARD MANIFOLDS

CST-XXA XX

標準油路板

## ORDER THE EXPLANATION 訂購說明

CST- 17A YK - \*\* - A \*  
※1 ※2 ※3

### ※1 Threaded Type 螺紋規格

1P: PT 2N: NPT 3G: PF(G) 4A: SAE 5B: BSP

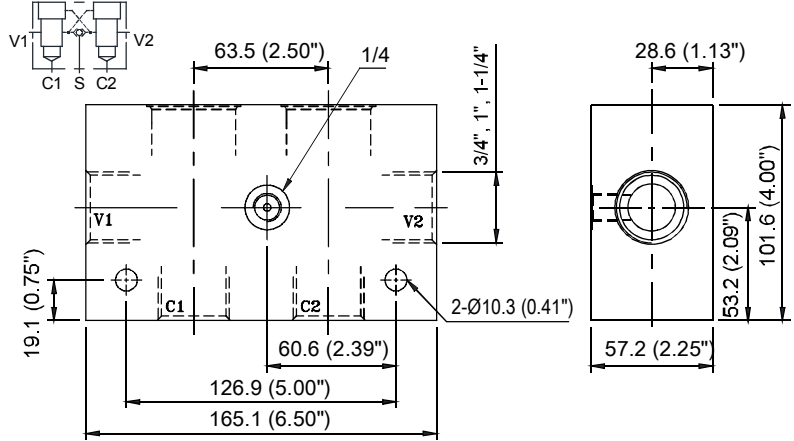
### ※2 Ports 接口

### ※3 Body Material 閥體材質

NONE (Standard): Aluminum-alloy (Anodized) 無 (標準): 鋁合金(陽極處理)  
D : Nodular Ductile-Iron (Galvanization) D : 球墨鑄鐵(鍍鋅)  
S : Steel (Galvanization) S : 鋼質(鍍鋅)

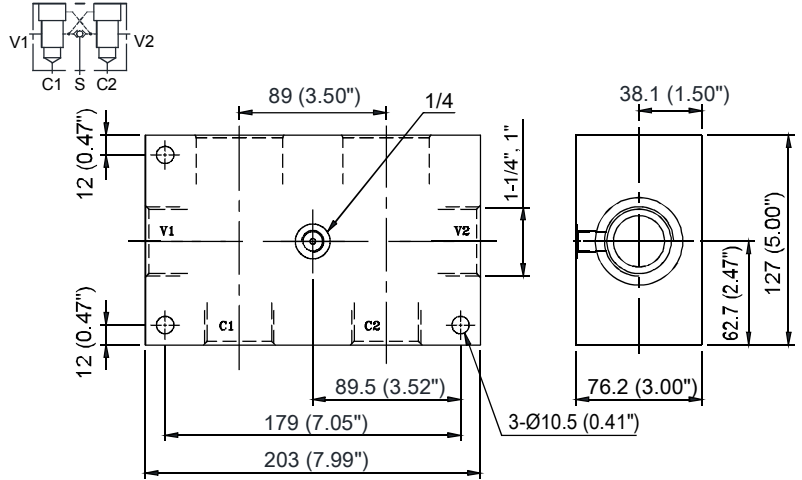
## CAVITY 孔口 CST-17A YK Dimensions on Appendices-A 尺寸在附錄A

ORDERING CODE 訂購代號	Ports 接口	Weight 重量 Kg(lbs)
CST-17A YK-**-A	3/4	2.59 (5.71 lbs)
	SAE12	
CST-17A YK-**-B	1	
	SAE16	
CST-17A YK-**-C	1-1/4	
	SAE20	



## CAVITY 孔口 CST-19A YN Dimensions on Appendices-A 尺寸在附錄A

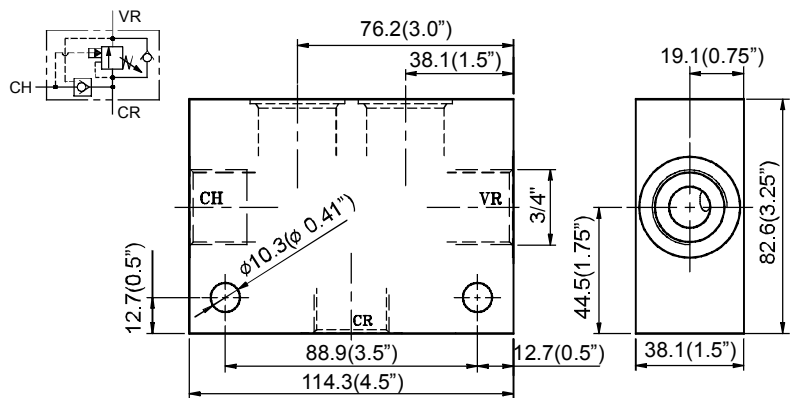
ORDERING CODE 訂購代號	Ports 接口	Weight 重量 Kg(lbs)
CST-19A YN-**-A	1-1/4	5.30 (11.68 lbs)
	SAE20	
CST-19A YN-**-B	1	
	SAE16	



## CAVITY 孔口 CST-2A YD Dimensions on Appendices-A 尺寸在附錄A

ORDERING CODE 訂購代號	Ports 接口	Weight 重量 Kg(lbs)
CST-2A YD-**-A	3/4	0.97 (2.14 lbs)
	SAE12	

Note: This item only offers two 3G and 4A ports.  
註: 此項目只供應3G和4A接口



## FEATURES

**MAX.PRESSURE 3600 psi  
(250 bar)**

Note: The maximum allowable pressure for the standard aluminum-alloy valves is 250 bar; we also supply the nodular ductile-iron and steel valves; contact our factory for details  
註: 標準閥塊鋁合金最大壓力250bar, 另提供球墨鑄鐵及鋼製閥塊, 請聯繫工廠。



## ORDER THE EXPLANATION

訂購說明

CST- 3A CE -  $\frac{**}{※1}$  -  $\frac{A}{※2}$   $\frac{*}{※3}$

### ※1 Threaded Type 螺紋規格

1P: PT 2N: NPT 3G: PF(G) 4A: SAE 5B: BSP

### ※2 Ports 接口

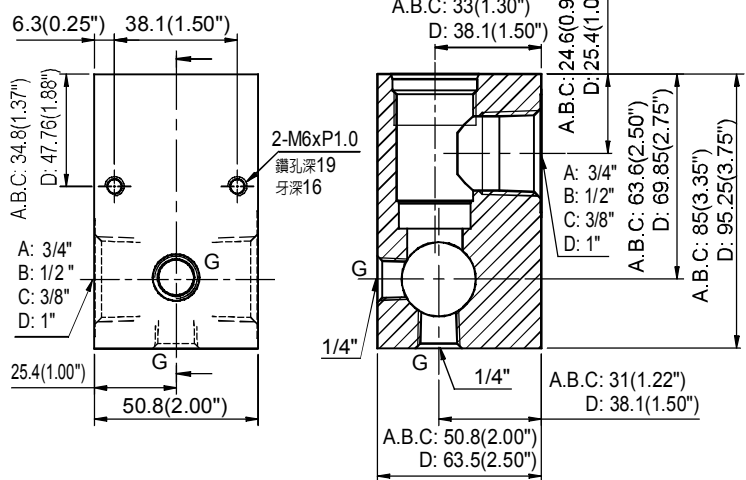
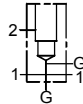
### ※3 Body Material 閥體材質

NONE (Standard): Aluminum-alloy (Anodized) 無 (標準): 鋁合金(陽極處理)  
 D: Nodular Ductile-Iron (Galvanization) D: 球墨鑄鐵(鍍鋅)  
 S: Steel (Galvanization) S: 鋼質(鍍鋅)

## CAVITY 孔口 CST-3A CE

Dimensions on Appendices-A 尺寸在附錄A

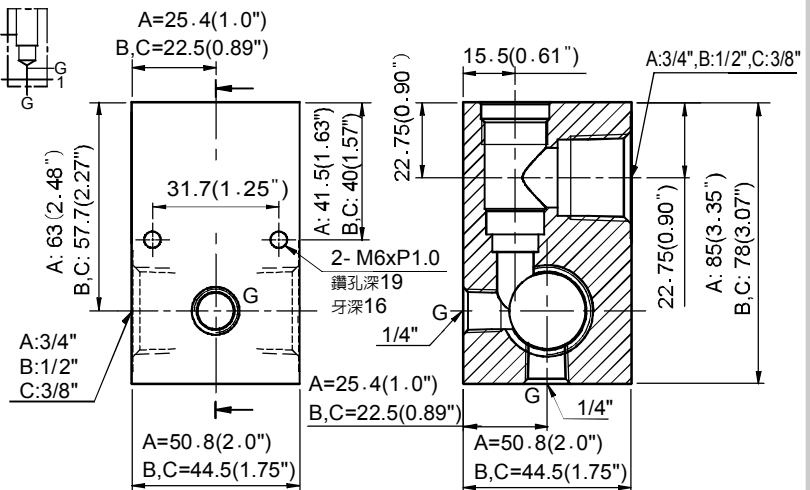
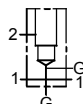
ORDERING CODE 訂購代號	Ports 接口	Weight 重量 Kg(lbs)
CST-3A CE-**-A	3/4	0.59 (1.30 lbs)
	SAE12	
CST-3A CE-**-B	1/2	
	SAE8	
CST-3A CE-**-C	3/8	0.83 (1.83 lbs)
	SAE6	
CST-3A CE-**-D	1	
	SAE16	



## CAVITY 孔口 CST-10A FE

Dimensions on Appendices-A 尺寸在附錄A

ORDERING CODE 訂購代號	Ports 接口	Weight 重量 Kg(lbs)	
CST-10A FE-**-A	3/4	0.59 (1.30 lbs)	
	SAE12		
CST-10A FE-**-B	1/2		0.42 (0.93 lbs)
	SAE8		
CST-10A FE-**-C	3/8	0.83 (1.83 lbs)	
	SAE6		



**MAX.PRESSURE 3600 psi (250 bar)**

## FEATURES

Note: The maximum allowable pressure for the standard aluminum-alloy valves is 250 bar; we also supply the nodular ductile-iron and steel valves; contact our factory for details  
 註: 標準閥塊鋁合金最大壓力250bar, 另提供球墨鑄鐵及鋼製閥塊, 請聯繫工廠。

# STANDARD MANIFOLDS

**CST-XXA XX**

標準油路板

## ORDER THE EXPLANATION 訂購說明

**CST- 5A XW - \*\* - A \***  
※1 ※2 ※3

### ※1 Threaded Type 螺紋規格

1P: PT 2N: NPT 3G: PF(G) 4A: SAE 5B: BSP

### ※2 Ports 接口

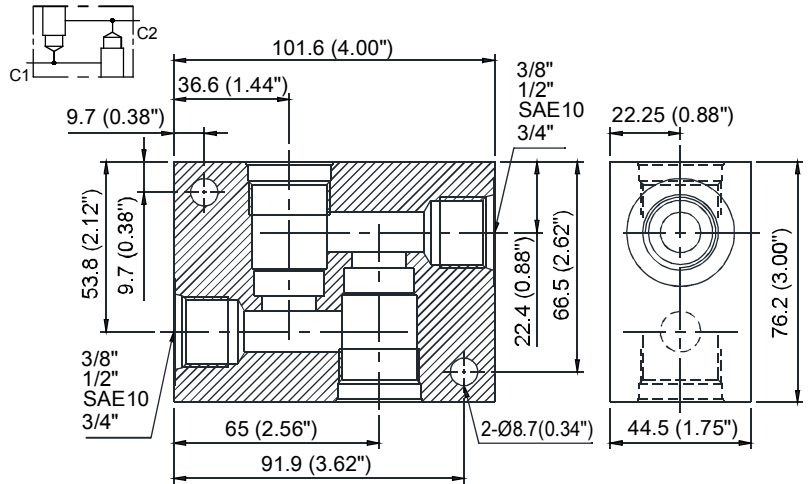
### ※3 Body Material 閥體材質

NONE (Standard): Aluminum-alloy (Anodized) 無 (標準): 鋁合金(陽極處理)  
D : Nodular Ductile-Iron (Galvanization) D : 球墨鑄鐵(鍍鋅)  
S : Steel (Galvanization) S : 鋼質(鍍鋅)

## CAVITY 孔口 CST- 5A XW

Dimensions on Appendices-A 尺寸在附錄A

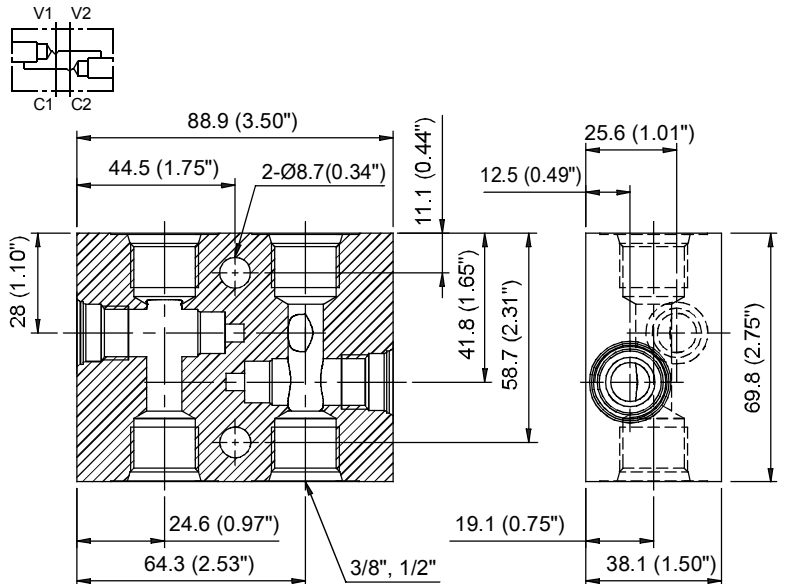
ORDERING CODE 訂購代號	Ports 接口	Weight 重量 Kg(lbs)
CST-5A XW-**-A	3/8 SAE6	0.93 (2.05 lbs)
CST-5A XW-**-B	1/2 SAE8	
CST-5A XW-**-C	SAE10	
CST-5A XW-**-D	3/4 SAE12	



## CAVITY 孔口 CST- 10A YF

Dimensions on Appendices-A 尺寸在附錄A

ORDERING CODE 訂購代號	Ports 接口	Weight 重量 Kg(lbs)
CST-10A YF-**-A	3/8 SAE6	0.64 (1.41 lbs)
CST-10A YF-**-B	1/2 SAE8	



Appendices-B

附錄-B

**MAX.PRESSURE 3600 psi (250 bar)**

## FEATURES

Note: The maximum allowable pressure for the standard aluminum-alloy valves is 250 bar; we also supply the nodular ductile-iron and steel valves; contact our factory for details  
註:標準閥塊鋁合金最大壓力250bar, 另提供球墨鑄鐵及鋼製閥塊,請聯繫工廠。

### ORDER THE EXPLANATION

訂購說明

CST- 11A XE - **\*\*** - **A** **\***

※1    ※2    ※3

#### ※1 Threaded Type 螺紋規格

1P: PT 2N: NPT 3G: PF(G) 4A: SAE 5B: BSP

#### ※2 Ports 接口

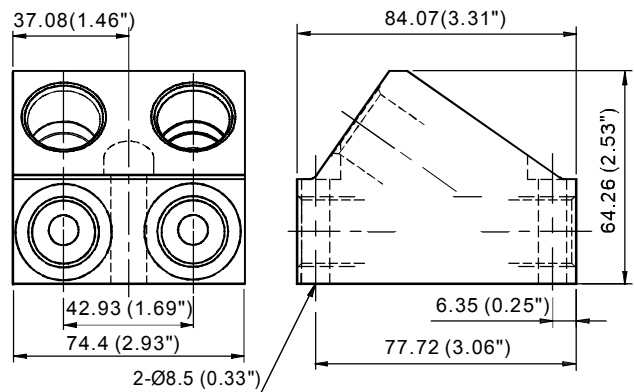
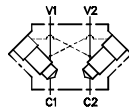
#### ※3 Body Material 閥體材質

NONE (Standard): Aluminum-alloy (Anodized)    無 (標準): 鋁合金(陽極處理)  
D : Nodular Ductile-Iron (Galvanization)    D : 球墨鑄鐵(鍍鋅)

### CAVITY 孔口 CST-11A XE

Dimensions on Appendices-A    尺寸在附錄A

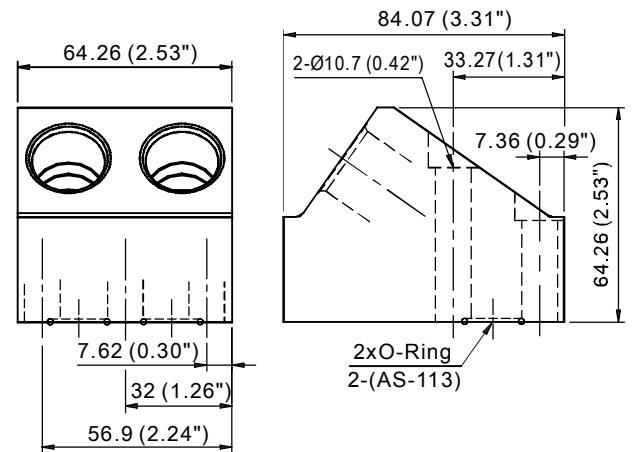
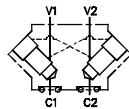
ORDERING CODE 訂購代號	Ports 接口	Weight 重量 Kg(lbs)
CST-11A XE-**-A	3/8 SAE6	0.80 (1.76 lbs)
CST-11A XE-**-B	1/2 SAE8	
CST-11A XE-**-C	1/4 SAE4	



### CAVITY 孔口 CST-11A XV

Dimensions on Appendices-A    尺寸在附錄A

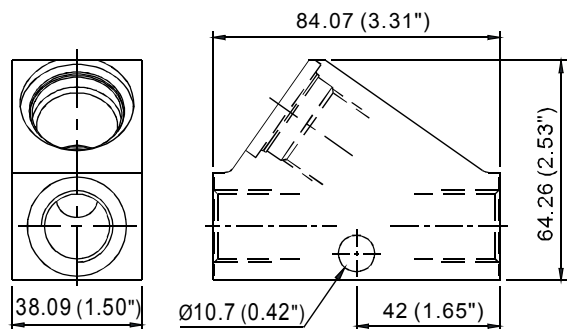
ORDERING CODE 訂購代號	Ports 接口	Weight 重量 Kg(lbs)
CST-11A XV-**-A	3/8 SAE6	0.69 (1.52 lbs)
CST-11A XV-**-B	1/2 SAE8	
CST-11A XV-**-C	1/4 SAE4	



### CAVITY 孔口 CST-5A DC

Dimensions on Appendices-A    尺寸在附錄A

ORDERING CODE 訂購代號	Ports 接口	Weight 重量 Kg(lbs)
CST-5A DC-**-A	3/8 SAE6	0.41 (0.90 lbs)
CST-5A DC-**-B	1/2 SAE8	
CST-5A DC-**-C	SAE10	



**MAX.PRESSURE 3600 psi (250 bar)**

### FEATURES

Note: The maximum allowable pressure for the standard aluminum-alloy valves is 250 bar; we also supply the nodular ductile-iron valves; contact our factory for details  
註: 標準閥塊鋁合金最大壓力250bar, 另提供球墨鑄鐵閥塊, 請聯繫工廠。

# STANDARD MANIFOLDS

**CST-XXA XX**

標準油路板

Appendices-B

附錄-B

## ORDER THE EXPLANATION

訂購說明

CST- 5A VF -  $\frac{**}{\times 1}$  -  $\frac{A}{\times 2}$   $\frac{*}{\times 3}$

### ※1 Threaded Type 螺紋規格

1P: PT 2N: NPT 3G: PF(G) 4A: SAE 5B: BSP

### ※2 Ports 接口

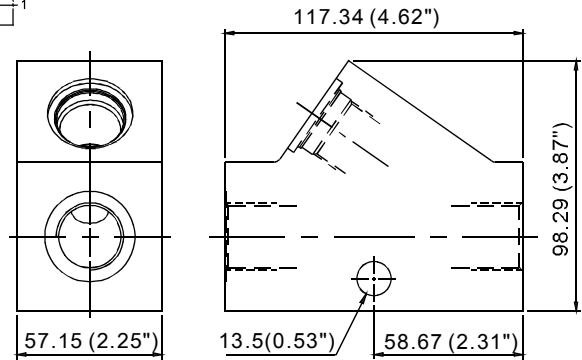
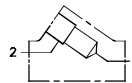
### ※3 Body Material 閥體材質

NONE (Standard): Aluminum-alloy (Anodized) 無 (標準): 鋁合金(陽極處理)  
D : Nodular Ductile-Iron (Galvanization) D : 球墨鑄鐵(鍍鋅)

## CAVITY 孔口 CST-5A VF

Dimensions on Appendices-A 尺寸在附錄A

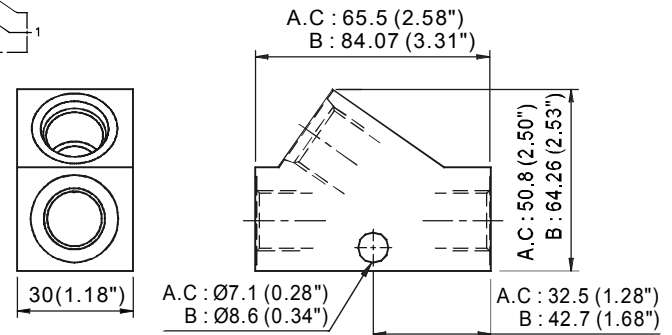
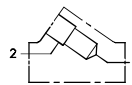
ORDERING CODE 訂購代號	Ports 接口	Weight 重量 Kg(lbs)
CST-5A VF-**-A	3/4	1.32 (2.91 lbs)
	SAE12	
CST-5A VF-**-B	1	
	SAE16	
CST-5A VF-**-C	1 1/4	
	SAE20	



## CAVITY 孔口 CST-13A GC

Dimensions on Appendices-A 尺寸在附錄A

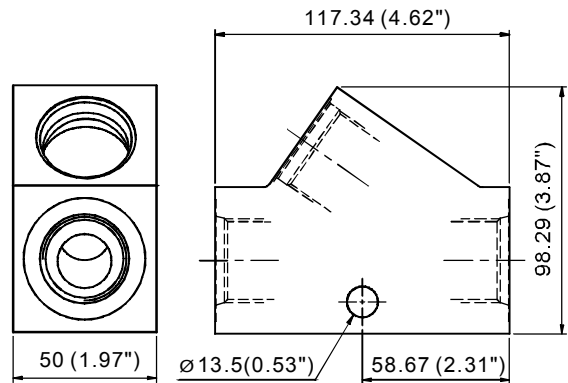
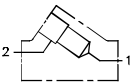
ORDERING CODE 訂購代號	Ports 接口	Weight 重量 Kg(lbs)
CST-13A GC-**-A	3/8	0.19 (1.42 lbs)
	SAE6	
CST-13A GC-**-B	1/2	
	SAE8	
CST-13A GC-**-C	1/4	
	SAE4	



## CAVITY 孔口 CST-16A IC

Dimensions on Appendices-A 尺寸在附錄A

ORDERING CODE 訂購代號	Ports 接口	Weight 重量 Kg(lbs)
CST-16A IC-**-A	1/2	1.15 (2.54 lbs)
	SAE8	
CST-16A IC-**-B	3/4	
	SAE12	
CST-16A IC-**-C	1	
	SAE16	



**MAX.PRESSURE 3600 psi (250 bar)**

## FEATURES

Note: The maximum allowable pressure for the standard aluminum-alloy valves is 250 bar; we also supply the nodular ductile-iron valves; contact our factory for details  
註: 標準閥塊鋁合金最大壓力250bar, 另提供球墨鑄鐵閥塊, 請聯繫工廠。

### ORDER THE EXPLANATION 訂購說明

CST-162A AC  $\frac{**}{※1}$  -  $\frac{A}{※2}$   $\frac{*}{※3}$

#### ※1 Threaded Type 螺紋規格

1P: PT 2N: NPT 3G: PF(G) 4A: SAE 5B: BSP

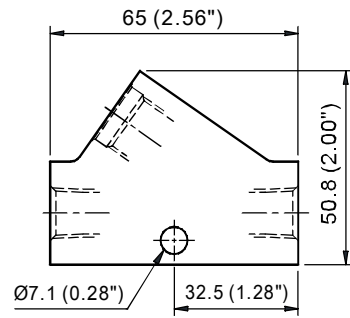
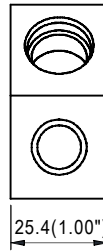
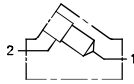
#### ※2 Ports 接口

#### ※3 Body Material 閥體材質

NONE (Standard): Aluminum-alloy (Anodized) 無 (標準): 鋁合金(陽極處理)  
D: Nodular Ductile-Iron (Galvanization) D: 球墨鑄鐵(鍍鋅)

### CAVITY 孔口 CST-162A AC

Dimensions on Appendices-A 尺寸在附錄A



ORDERING CODE 訂購代號	Ports 接口	Weight 重量 Kg(lbs)
CST-162A AC-**-A	3/8	0.16 (0.35 lbs)
	SAE6	
CST-162A AC-**-B	1/4	
	SAE4	

### FEATURES

**MAX.PRESSURE** 3600 psi  
(250 bar)

Note: The maximum allowable pressure for the standard aluminum-alloy valves is 250 bar; we also supply the nodular ductile-iron valves; contact our factory for details  
註: 標準閥塊鋁合金最大壓力250bar, 另提供球墨鑄鐵閥塊, 請聯繫工廠。