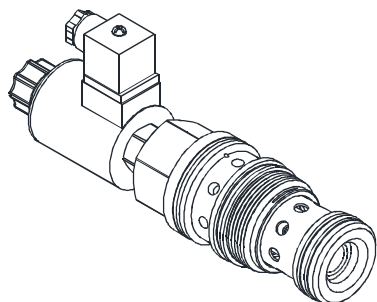
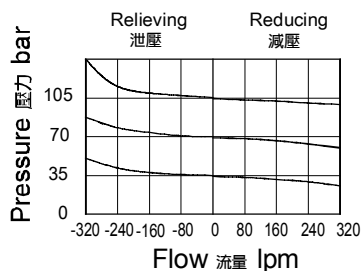


◆ MODEL 型 式

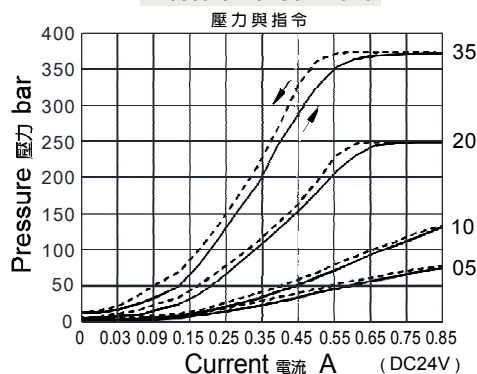
EVRB-10



◆ PERFORMANCE 特性曲線



Pressure vs. Command



◆ DESCRIPTION 說 明

This valve is a normally open modulating element that incorporates an integral pilot control cavity. The valve reduces a high primary pressure at the inlet (port 2) to a constant reduced pressure at port 1, with a full flow relief function from port 1 to tank (port 3).
先導級控制插孔的常開調節元件。減壓閥將進口(口2)高壓主油路壓力調節減至口1所需的減壓壓力，同時具備從口1到油箱(口3)的全流量溢流功能。

◆ SPECIFICATIONS 規 格

Model Number 型式號碼	Maximum Pressure 最大壓力 bar	Maximum Flow 最大流量 lpm	Rated Current 額定電流 mA	Voltage 電壓 VDC	Weight 重量 Kg
EVRB-10	350 (5076psi)	320 (84.54 gpm)	1300±10% 650±10%	12 24	1.30 (2.87 lbs)
Fluid Type 流體型式			ISO VG 32, 46, 68		
Viscosity 黏性 cSt			10~400 (59~1854 SSU)		
Operating Temperature 操作溫度 °C			-30~100 (-22~212°F)		
Contamination Level 污染標準			ISO4406. 20/18/15 NAS1638. 9		

◆ HOW TO ORDER 編號說明

1	2	3
EVRB	10	*

1 VALVE SERIES 系列名稱

EVRB=Proportional Balance Valves
(Pilot Operated Reducing/Relieving Valves)
比例平衡閥(導壓操作減泄壓閥)

2 SUBPLATE MOUNTING SIZE 稱呼口徑

10 :T-19A
Cavity 孔口:CST-19A
See Appendices-A 見附錄A
For Manifold See Appendices-B 油路板見附錄B

3 ADJUSTMENT PRESSURE 壓力調整範圍

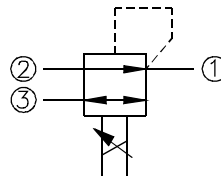
Code 編碼	Adjustment pressure 壓力調整範圍
05	4 ~ 50 (bar)
10	10 ~ 105 (bar)
20	20 ~ 210 (bar)
35	35 ~ 350 (bar)

◆ TYPE OF COIL 線圈類型

Model number 型式編號 : COT08
See Appendices-D
見附錄 D

- Coils must be ordered separately
線圈必須分開訂購

◆ CONTROL PORT(S) 動作形式



◆ DIMENSIONS 外型尺寸圖

