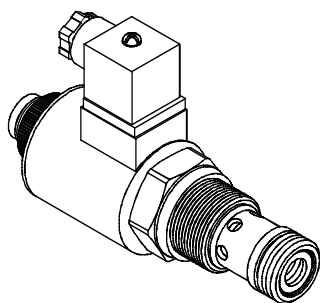
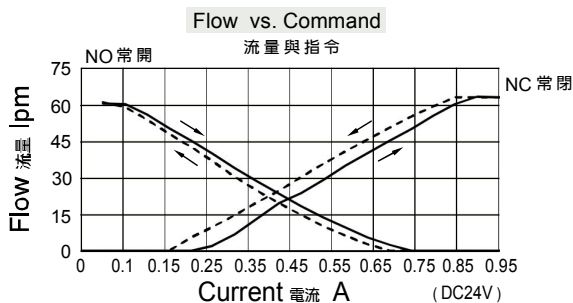


◆ **MODEL** 型 式
EVOF-12



◆ **PERFORMANCE** 特性曲線



◆ **DESCRIPTION** 說明

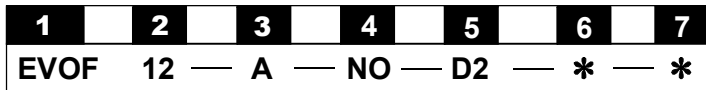
A solenoid operated two-port, pressure-compensated, spool-type, proportional flow control valve. The valve will regulate flow out of port ② regardless of system working pressure. With an increasing current applied to the solenoid, the normally close will increase output flow, the normally open will decrease output flow.

電磁驅動,二通,壓力補償,滑閥式,比例流量控制閥。此閥將調節油口 ② 的流量不受系統工作壓力的影響,隨電磁閥中電流的增大,常閉的輸出流量也將增大,常開的輸出流量也將變小。

◆ **SPECIFICATIONS** 規 格

Model Number 型式號碼	Operating Pressure 操作壓力 bar	Maximum Flow 最大流量 lpm	Maximum Current 最大電流 mA	Voltage 電壓 VDC	Weight 重量 Kg
EVOF-12	250 (3626 psi)	60 (15.85 gpm)	1700±10%	12	0.64 (1.41 lbs)
			850±10%	24	
Fluid Type 流體型式			ISO VG 32, 46, 68		
Viscosity 黏性 cSt			10~400 (59~1854 SSU)		
Operating Temperature 操作溫度 °C			-30~100 (-22~212°F)		
Contamination Level 污染標準			ISO4406. 20/18/15 NAS1638. 9		

◆ **HOW TO ORDER** 編號說明



1 VALVE SERIES 系列名稱

EVOF = Proportional Flow Valves
(Pressure Compensated Included) 比例流量閥(附壓力補償)

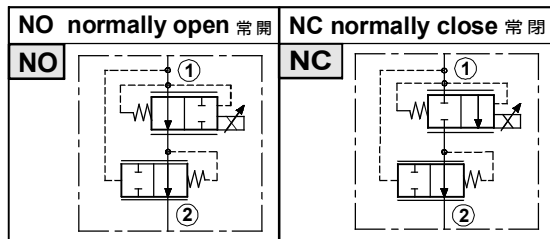
2 SUBPLATE MOUNTING SIZE 稱呼口徑

Size: 12
Cavity 孔口: CS12-2N
See Appendices-A 見附錄A
For Manifold See Appendices-B 油路板見附錄B

3 REGULATED FLOW RANGE 調節流量範圍

Model 型式	Regulated Flow Rate 調節流量 lpm
A	60 lpm (16 gpm)
B	38 lpm (10 gpm)

4 CONTROL PORT(S) 動作形式

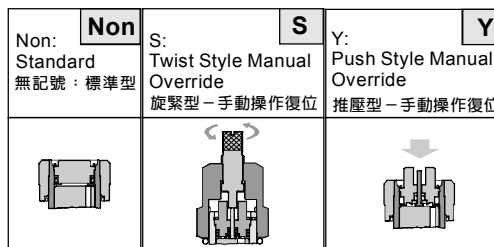


5 TYPE OF COIL

Non: Without Coil 無記號:無線圈
D1: DC12V
D2: DC24V

※ For more technical information of coil please refer to the Appendices-D or contact with us. 線圈詳細技術資料請查附錄-D或與我們聯繫。

6 ADJUSTMENT OPTION 調整選擇



7 SEALS 密封件

Non: NBR (Standard) 無記號:丁腈橡膠(標準型)
HN: HNBR HN: 氫化丁腈橡膠
V: VITON V: 氟橡膠

◆ **DIMENSIONS** 外型尺寸圖

