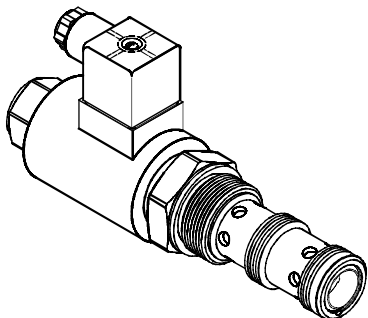


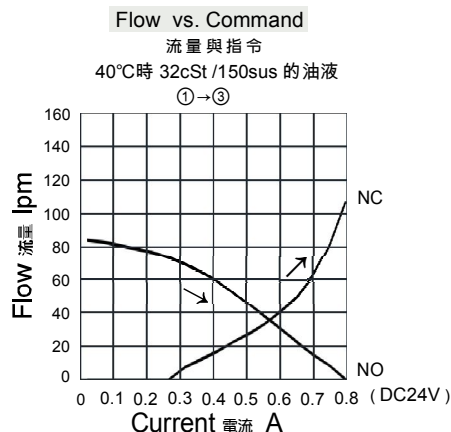
◆ **MODEL 型 式**
EVF-16



◆ **DESCRIPTION 說明**
Proportional flow valve. It can be used as a priority-type flow regulator with pressure-compensated, regulated and bypass flow. It can also be used as a restrictive-type 2-way, pressure-compensated flow regulator when the bypass line (port ②) is blocked.

比例流量閥, 可以用作帶壓力補償的優先流量調節閥, 調節和旁通流量, 當封閉旁通線路(油口 ②)時, 也可以用作2通節流型壓力補償流量調節閥。

◆ **PERFORMANCE 特性曲線**



◆ **SPECIFICATIONS 規 格**

Model Number 型式號碼	Operating Pressure 操作壓力 bar	Maximum Flow 最大流量 lpm	Regulated Flow Rate 調節流量 lpm		Maximum Current 最大電流 mA	Voltage 電壓 VDC	Weight 重量 Kg
EVF-16	250 (3626 psi)	155 (40.95 gpm)	2-Way 2通		1600±10%	12	1.03 (2.27 lbs)
			3-Way 3通				
			NC 85 (22.45 gpm)	95 (25.10 gpm)			
			NO 79 (20.87 gpm)	75 (19.81 gpm)	800±10%	24	
Fluid Type 流體型式					ISO VG 32, 46, 68		
Viscosity 黏性 cSt					10~400 (59~1854 SSU)		
Operating Temperature 操作溫度 °C					-30~100 (-22~212°F)		
Contamination Level 污染標準					ISO4406. 20/18/15 NAS1638. 9		

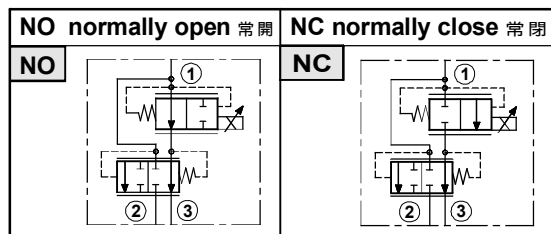
◆ **HOW TO ORDER 編號說明**

1	2	3	4	5	6
EVF	16	NO	D2	*	*

1 VALVE SERIES 系列名稱
EVF = Proportional Flow Valves
(Pressure Compensated Include)
比例流量閥(附壓力補償)

2 SUBPLATE MOUNTING SIZE 稱呼口徑
Size: 16
Cavity 孔口: CS16-3N
See Appendices-A 見附錄A
For Manifold See Appendices-B 油路板見附錄B

3 CONTROL PORT(S) 動作形式



4 TYPE OF COIL 線圈類型
Non: Without Coil 無記號:無線圈
D1: DC12V
D2: DC24V
※ For more technical information on the coil, please contact us.
線圈詳細技術資料請與我們聯繫。

5 ADJUSTMENT OPTION 調整選擇

Non	S	Y
Non: Standard 無記號:標準型	S: Twist Style Manual Override 旋緊型-手動操作復位	Y: Push Style Manual Override 推壓型-手動操作復位

6 SEALS 密封件
Non: NBR (Standard) 無記號:丁腈橡膠(標準型)
HN: HNBR HN: 氫化丁腈橡膠
V: VITON V: 氟橡膠

◆ **DIMENSIONS 外型尺寸圖**

