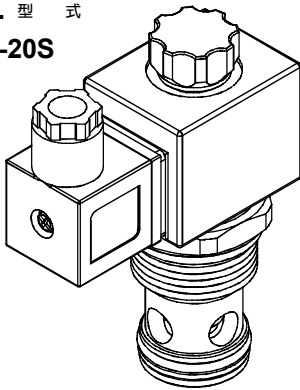
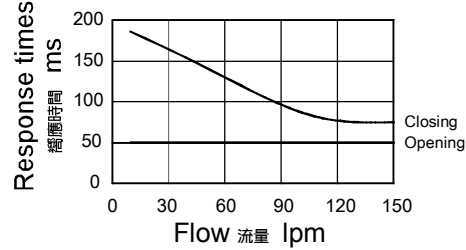


### ◆ MODEL 型式 VSV16-20S



### ◆ TECHNICAL DATA 技術數據

The only difference between this valve and the standard model is a spring placed between pilot section and poppet.  
 該閥與標準閥的唯一區別是在先導部份和提動閥之間的彈簧。  
 This design allows faster response times with very small flow or even virtually zero flow. 這樣的設計在低流量甚至零流量時實現更快的響應時間。  
 A pressure of approximately 3 bar (43.5 psi) is required to open the main poppet. 主閥的開啓壓力約為 3 bar (43.5 psi).



### ◆ SPECIFICATIONS 規格

Model Number 型式號碼	Maximum Pressure 最大壓力 bar	Maximum Flow 最大流量 lpm	Weight 重量 Kg
VSV16-20S	350 (5076 psi)	150 (39.63 gpm)	0.71 (1.57 lbs)
Fluid Type 流體型式		ISO VG 32, 46, 68	
Viscosity 黏性 cSt		10~400 (59~1854 SSU)	
Operating Temperature 操作溫度 °C		-30~100 (-22~212°F)	
Contamination Level 污染標準		ISO4406. 20/18/15 NAS1638. 9	

● Internal Leakage: max of 0.15 cc/min (3 drops/min) at 350 bar (5076 psi).  
 內部泄漏: 在350bar(5076psi)時, 最大為0.15毫升/分鐘(3滴/分鐘)。

### ◆ HOW TO ORDER 編號說明

1	2	3	4	5	6
VSV	16	—	20S	—	A2 — X — Y

#### 1 VALVE SERIES 系列名稱

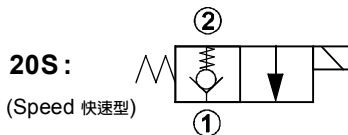
VSV=Cartridge Type Solenoid Operated Check Valves (Speed)

插入式電磁止逆閥(快速型)

#### 2 SUBPLATE MOUNTING SIZE 稱呼口徑

Size : 16  
 Cavity 孔口: CS16-2N  
 See Appendices-A 見附錄A  
 For Manifold See Appendices-B 油路板見附錄B

#### 3 CONTROL PORT(S) 動作形式

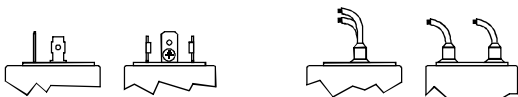


#### 4 TYPE OF COIL 線圈類型

Non: Without Coil 無記號:無線圈  
 A1 : RAC110V 60/50HZ D1 : DC12V  
 A2 : RAC220V 60/50HZ D2 : DC24V

#### 5 WIRING TYPE 接線型式

Non: WIRING BOX TYPE (DIN) X: DOUBLE LEAD  
 無: 接線盒式 (DIN) 雙接線方式



※ For more technical information of wiring type please refer to the Appendices-D or contact with us.  
 接線型式的詳細技術資料請查附錄-D或與我們聯繫。

#### 6 ADJUSTMENT OPTION 調整選擇

Non Non:Standard 無記號:標準型	
Y Y:Twist Style Manual Override 旋緊型-手動操作復位	

### ◆ DIMENSIONS 外型尺寸圖

