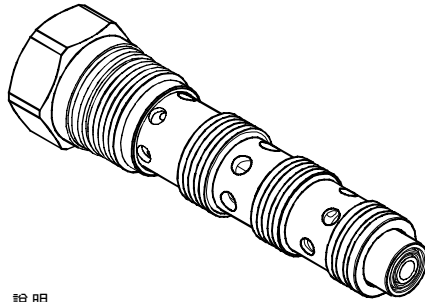
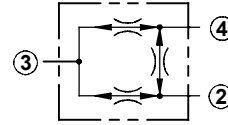


### ◆ MODEL 型式 VFSC - 03



### ◆ CONTROL PORT(S) 動作形式



### ◆ DESCRIPTION 說明

1. Synchronizing flow divider/combiners are sliding-spool, pressure-compensated devices used to split flow in one direction and combine flow in the opposite direction. With a synchronizing feature, these valves can be used to allow two hydraulic cylinders to fully stroke and synchronize at the end of the stroke. When the first cylinder has reached the end of its stroke, a pressure-compensated, reduced flow is metered to or from the second cylinder until it also reaches the end of its stroke.
2. Operating characteristics cause the leg of the circuit with the greatest load to receive the higher percentage of flow in dividing mode. If a rigid mechanism is used to tie actuators together, the lead actuator may pull the lagging actuator and cause it to cavitate. Operating inaccuracy will cause the eventual lock-up of the system. If the mechanical structure is not designed to allow for the operating inaccuracy inherent in the valve, damage may occur.
3. In combining mode, compensating characteristics will cause the leg of the circuit with the lowest load to receive the higher percentage of flow. If a synchronization feature is not included, an additive accuracy error will be experienced with each full stroke of the actuator.
4. The synchronization feature provides bi-directional static error correction.
5. Divisional and combining accuracy are equal.

1. 同步保持分流/集流閥為滑閥芯，具有壓力補償效果，可用來在一個方向上分流並在相反方向集流。因具有同步保持特性，此類閥可以使兩個液壓缸在滿行程結束時保持同步。當一個液壓缸到達行程終點，一個壓力補償的小流量會流進/流出另外一個液壓缸並使它也到達行程終點。
2. 根據閥的特性，在分流模式下，較大負載側分得較大流量。如果把執行器用剛性結構連一起，先動的執行器將會帶動後動的一起，從而產生空穴現象。運行誤差將最終促使系統鎖死。如果機械結構並沒有將運行誤差考慮進去的話，將會發生損害事故。
3. 在集流模式下，補償特性將會使低負載油路接收到更多的流量。如果沒有採用同步方案，執行器將會有累積誤差。
4. 這種同步特性可以提供雙向的靜態誤差校正。
5. 分流和集流的精度是相等的。

### ◆ SPECIFICATIONS 規格

Model Number 型式號碼	Maximum Pressure 最大壓力 bar	Flow 流量 Lpm	Weight 重量 Kg
VFSC-03	350 (5076 psi)	12 ~ 80 ( 3.17 ~ 21.13 gpm)	0.3 (0.68 lbs)
<b>Fluid Type</b> 流體型式		ISO VG 32,46,68	
<b>Viscosity</b> 黏性 cSt		10~400 (59~1854SSU)	
<b>Operating Temperature</b> 操作溫度 °C		-30~100 (-22~212°F)	
<b>Contamination Level</b> 污染標準		ISO4406. 20/18/15 NAS1638. 9	

### ◆ HOW TO ORDER 編號說明

<b>1</b>	<b>2</b>	<b>3</b>
VFSC	03	— 60

#### 1 VALVE SERIES 系列名稱

VFSC= Synchronizing Divider / Combiner Valves  
同步分流 / 集流閥

#### 2 SUBPLATE MOUNTING SIZE 稱呼口徑

03 : T-32A  
Cavity 孔口: CST-32A  
See Appendices-A 見附錄A  
For Manifold See Appendices-B 油路板見附錄B

#### 3 FLOW SPECIFICATIONS 流量規格

- 30 : 6 ~ 30 l/min
- 60 : 12 ~ 60 l/min
- 80 : 15 ~ 80 l/min

※ Divisional and Combined ratio : 分流和集流比例  
50% : 50%

※ Flow Accuracy and Pressure Drop : 流量精度和降壓  
At minimum flow input : 4.5 % , ΔP : 2 bar (30 psi)  
在最小輸入流量

At maximum flow input : 2.5 % , ΔP : 24 bar (350 psi)  
在最大輸入流量

### ◆ DIMENSIONS 外型尺寸圖

