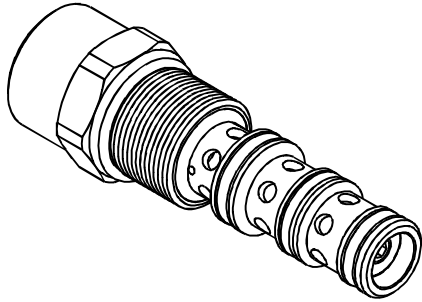
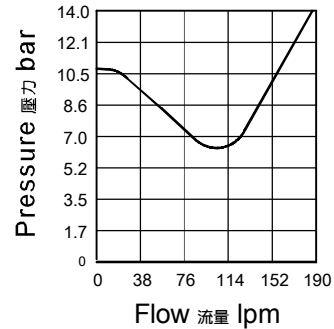


### ◆ MODEL 型 式

VEOF-16



### ◆ PERFORMANCE 特性曲線



### ◆ DESCRIPTION 說明

Pressure compensator with dynamic load sense intended to provide priority flow in the required amount, while allowing excess flow to be used for auxiliary functions.

With inlet flow at port ③, will deliver required priority flow at port ④, regardless of load pressure.

Excess flow exits, or is bypassed, at port ②. Port ① is the load sense port. All ports may be fully pressurized.

具有動態負載感應的壓力補償,用於優先提供需求流量,同時將剩餘的流量用作輔助功能。

油口③進油後,優先輸送必需的流量到④,不受負載壓力變化的影響,剩餘的在油口②排出,①是負載傳感油口,所有油口可以完全受壓。

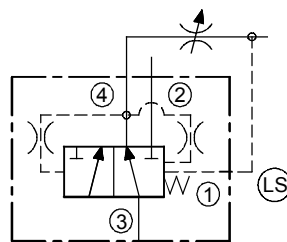
### ◆ SPECIFICATIONS 規 格

Model Number 型式號碼	Operating Pressure 操作壓力 bar	Flow 流量 lpm	Weight 重量 Kg
VEOF-16	350 (5000 psi)	190 (50.19 gpm)	0.7 (1.54 lbs)
Fluid Type 流體型式		ISO VG 32, 46, 68	
Viscosity 黏性 cSt		10~400 (59~1854 SSU)	
Operating Temperature 操作溫度 °C		-30~100 (-22~212°F)	
Contamination Level 污染標準		ISO4406. 20/18/15 NAS1638. 9	

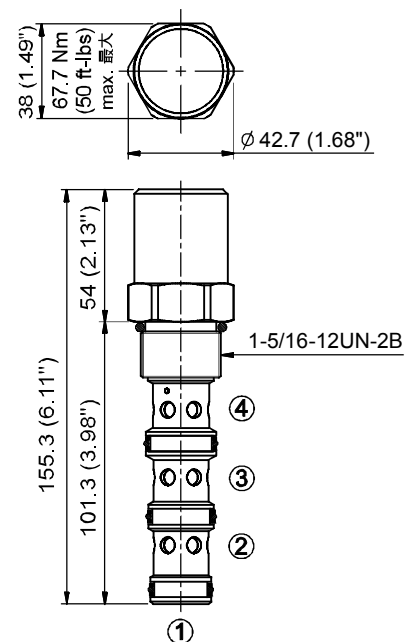
### ◆ HOW TO ORDER 編號說明

1	2	3
VEOF	16	*

### ◆ CONTROL PORT(S) 動作形式



### ◆ DIMENSIONS 外型尺寸圖



#### 1 VALVE SERIES 系列名稱

VEOF = Cartridge Type Pressure Compensator, High Pressure With Dynamic Load Sense Valves

插入式動態負載感應壓力補償閥(高壓回路)

#### 2 SUBPLATE MOUNTING SIZE 稱呼口徑

Size: 16

Cavity 孔口: CS16-4N

See Appendices-A 見附錄A

For Manifold See Appendices-B 油路板見附錄B

#### 3 COMPENSATED PRESSURE 補償壓力

50 : 5 bar

100 : 11 bar