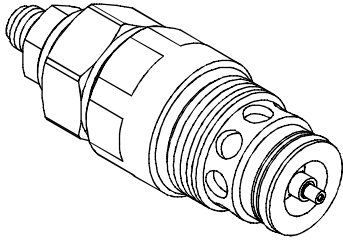


# PRESSURE CONTROL VALVES 壓力控制閥

## VRV SERIES RELIEF, PILOT-OPERATED POPPET VRV 系列先導式溢流閥

### ◆ MODEL 型 式

VRV-22K



### ◆ DESCRIPTION 說明

Pilot-operated, two-stage, hydraulic relief valve with reverse flow check valve. It is intended for use as a pressure limiting device in demanding hydraulic circuits which require fast response, low hysteresis, low leakage, low pressure overshoot and reverse free flow features. The flow from 1 to 2 until sufficient pressure is present at 1 to force the pilot stage open, allowing the main stage to shift, opening 1 to 2.

The relief flow path is from 1 to 2. Reverse flow, from 2 to 1, occurs when the pressure at 2 is at least 2.1 bar (30 psi) higher than at 1.

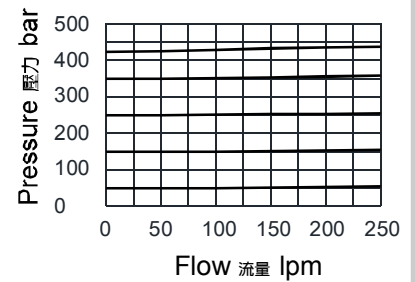
二級先導式溢流閥，帶反向單向閥，作為壓力限制裝置用於要求快速反應、低遲滯、低泄漏、壓力超調小及反向導通的液壓回路。

常態下從1流向2封閉，直到1處受到足夠的液壓力使先導閥開啟，再推動主閥芯移動，使油液從1流向2。溢流時油液從1流向2。當作用於2的壓力比1處高出2.1 bar (30 psi) 以上時，反向1導通，油液從2流向1。

### ◆ PERFORMANCE

(Cartridge Only)

特性曲線



### ◆ SPECIFICATIONS 規 格

Model Number 型式號碼	Operating Pressure 操作壓力 bar	Flow 流量 lpm	Weight 重量 Kg
VRV-22K	420 (6092 psi)	240 (63.40 gpm)	0.32 (0.71 lbs)
Fluid Type 流體型式		ISO VG 32, 46, 68	
Viscosity 黏性 cSt		10~400 (59~1854 SSU)	
Operating Temperature 操作溫度 °C		-30~100 (-22~212°F)	
Contamination Level 污染標準		ISO4406. 20/18/15 NAS1638. 9	

### ◆ HOW TO ORDER 編號說明

<b>1</b>	<b>2</b>	<b>3</b>	<b>4</b>
VRV	22K	*	20

#### 1 VALVE SERIES 系列名稱

VRV= Relief, Pilot-operated Poppet  
先導式溢流閥

#### 2 SUBPLATE MOUNTING SIZE 稱呼口徑

SIZE : 22K  
Cavity 孔口 : CS22K-2N  
See Appendices-A 見附錄A  
For Manifold See Appendices-B 油路板見附錄B

#### 3 ADJUSTMENT PRESSURE 壓力調整範圍

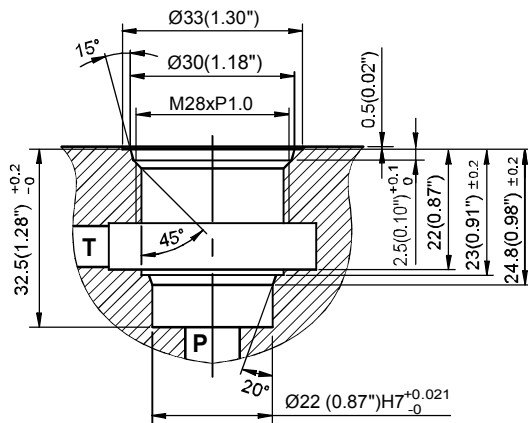
Code 編碼	Adjustment pressure 壓力調整範圍
31	27 ~ 420 (bar)

#### 4 DESIGN NO 設計編號

### ◆ CAVITY DIMENSIONS

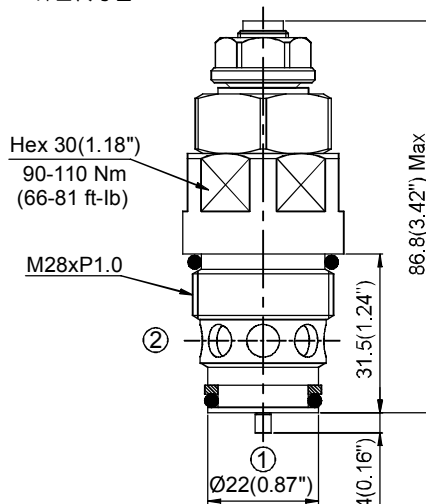
孔口尺寸圖

CS22K-2N



### ◆ DIMENSIONS

外型尺寸圖



### ◆ CONTROL PORT(S)

動作形式

