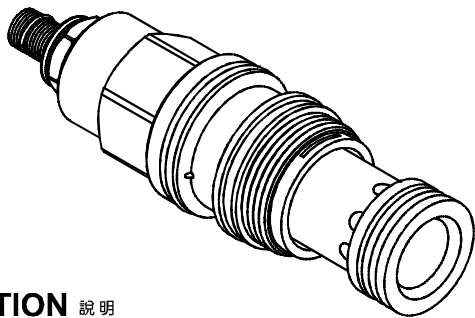
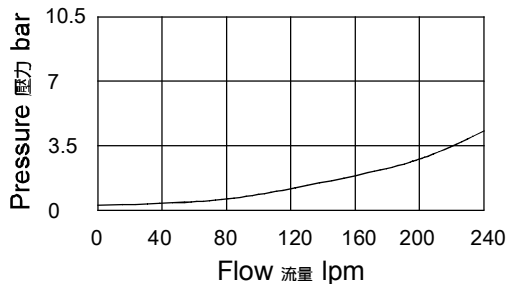


◆ **MODEL** 型 式
VHG-06



◆ **PERFORMANCE**(Cartridge Only) 特性曲線



◆ **DESCRIPTION** 說明

Balanced piston sequence valves will supply a secondary circuit with flow once the pressure at the inlet (port 1) has exceeded the valve setting. The pressure setting of a sequence valve controls the pressure at port 1 relative to the pressure at the drain (port 3). These valves are insensitive to back pressure at port 2 (sequence), up to the valve setting. They may be used to regulate pressure in place of 2-port relief valves if there is pressure in the return line. Not suitable for use in load holding applications due to spool leakage.

平衡滑閥結構順序閥將在進口（口1）壓力超過閥的設定之後向次級油路供油。順序閥的設定將控制與外泄口（口3）壓力相關的口1壓力。在口2（順序口）背壓升至設定值之前，此類閥對此不敏感。如果回路中有壓力存在，它們可以用來代替2口溢流閥完成對壓力的調節。因為滑閥的洩漏，不適合使用在負載鎖緊應用中。

◆ **SPECIFICATIONS** 規 格

Model Number 型式號碼	Maximum Pressure 最大壓力 bar	Maximum Flow 最大流量 lpm	Weight 重量 Kg
VHG-06	350 (5076 psi)	240 (63.40 gpm)	0.7 (1.54lbs)
Fluid Type 流體型式		ISO VG 32, 46, 68	
Viscosity 黏性 cSt		10~400 (59~1854 SSU)	
Operating Temperature 操作溫度 °C		-30~100 (-22~212°F)	
Contamination Level 污染標準		ISO4406. 20/18/15 NAS1638. 9	

◆ **HOW TO ORDER** 編號說明

1	2	3	4
VHG	06	*	*

1 VALVE SERIES 系列名稱
VHG =Cartridge Type Sequence Valves
(Piloted Poppet Type)
插入式順序閥(導壓式)

2 SUBPLATE MOUNTING SIZE 稱呼口徑
06 :T-17A
Cavity 孔口 : CST-17A
See Appendices-A 見附錄A
For Manifold See Appendices-B 油路板見附錄B

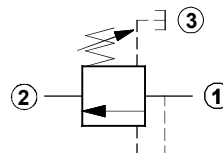
3 ADJUSTMENT PRESSURE 壓力調整範圍

Code 編碼	Adjustment pressure 壓力調整範圍
06	2 ~ 60 (bar)
10	3.5 ~ 105 (bar)
21	7 ~ 210 (bar)
31	10 ~ 315 (bar)
42	10 ~ 420 (bar)

4 ADJUSTMENT OPTION 調整選擇

NONE	NONE:TOOL ADJUST 無：工具調整式	
K	K:HAND-BAR ADJUST K：手把調整式	

◆ **CONTROL PORT(S)** 動作形式



◆ **DIMENSIONS** 外型尺寸圖

