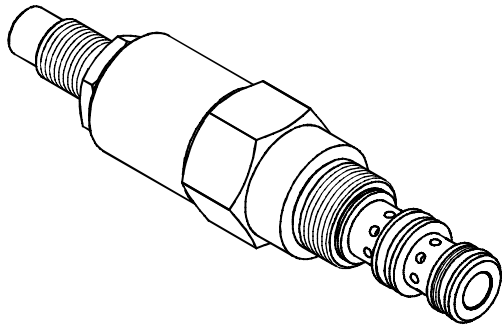


◆ MODEL 型式 VCR-08

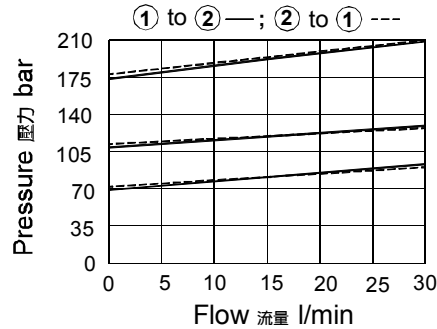


◆ DESCRIPTION 說明

Cartridge style, direct acting, bi-directional, The valve blocks flow from port ① to port ② bi-directionally with the spring chamber constantly drained at port ③. On attainment of a pre-determined pressure at either port ① or port ②, the spring-opposed poppet is forced from its seat.

插入式直動型差動面積，座閥式雙向溢流閥，雙向封閉①和②的油液流動，彈簧腔和洩油口③常通，當①或②任一油口的壓力達到標稱設定值時，閥芯升起油液溢流。

◆ PERFORMANCE(Cartridge Only) 特性曲線



◆ SPECIFICATIONS 規格

Model Number 型式號碼	Maximum Pressure 最大壓力 bar	Maximum Flow 最大流量 Lpm	Weight 重量 Kg
VCR-08	210 (3046 psi)	30(7.93 gpm)	0.3 (0.66 lbs)
Fluid Type 流體型式		ISO VG 32,46,68	
Viscosity 黏性 cSt		10~400 (59~1854SSU)	
Operating Temperature 操作溫度 °C		-30~100 (-22~212°F)	
Contamination Level 污染標準		ISO4406. 20/18/15 NAS1638. 9	

◆ HOW TO ORDER 編號說明

1	2	3	4	5
VCR	08	— *	— *	— *

1 VALVE SERIES 系列名稱

VCR= Cartridge Type Double Directional Relief Valves
插入式雙向調壓閥

2 SUBPLATE MOUNTING SIZE 稱呼口徑

Size:08
Cavity 孔口: CS08-3N
See Appendices-A 見附錄A
For Manifold See Appendices-B 油路板見附錄B

3 ADJUSTMENT PRESSURE 壓力調整範圍

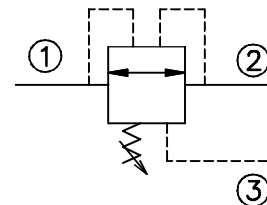
Code 編碼	Adjustment pressure 壓力調整範圍
20	70 ~ 205 (bar)

4 ADJUSTMENT OPTION 調整選擇

NONE	NONE:TOOL ADJUST 無：工具調整式	
K	K:HAND-BAR ADJUST K：手把調整式	

5 DESIGN NO 設計編號

◆ CONTROL PORT(S) 動作形式



◆ DIMENSIONS 外型尺寸圖

