

DIRECTIONAL CONTROL VALVES (PRE-FILL VALVES)

PF SERIES

方向控制閥(滿油閥)

MODEL 型 式

PF-80



PF-80F



SPECIFICATIONS 規 格

Model Number 型 式 號 碼	Maximum Pressure 最大壓力 bar	Connecting PT 適用管徑	Maximum Flow 最大流量 lpm	Weight 重 量 Kg
PF-50	250 (3625 psi)	2"	200 (52.84 gpm)	1.17 (2.6 lbs)
SPF-50	400 (5801 psi)			2.8 (6.2 lbs)
PF-80	250 (3625 psi)	3"	400 (105.67 gpm)	8 (17.6 lbs)
PF-80F	250 (3625 psi)			2.8 (6.2 lbs)
SPF-80	400 (5801 psi)	3-1/2"	630 (166.4 gpm)	3.8 (8.38 lbs)
PF-90	250 (3625 psi)			11.3 (24.9 lbs)
PF-90F	250 (3625 psi)	4"	1000 (264.1 gpm)	3.8 (8.38 lbs)
SPF-90	400 (5801 psi)			6 (13.2 lbs)
PF-100	250 (3625 psi)	5"	1600 (422.7 gpm)	14.5 (31.96 lbs)
PF-100F	250 (3625 psi)			6 (13.2 lbs)
SPF-100	400 (5801 psi)	6"	2500 (660.4 gpm)	10.8 (23.8 lbs)
PF-125	250 (3625 psi)			23.8 (54.47 lbs)
PF-125F	250 (3625 psi)	8"	4000 (1056 gpm)	10.8 (23.8 lbs)
SPF-125	400 (5801 psi)			23.5 (51.8 lbs)
PF-150	250 (3625 psi)	8"	4000 (1056 gpm)	37 (81.57 lbs)
PF-150F	250 (3625 psi)			23.5 (51.8 lbs)
SPF-150	400 (5801 psi)			50 (110.2 lbs)
PF-200	250 (3625 psi)			
SPF-200	400 (5801 psi)			
Fluid Type 液體型式			ISO VG 32, 46, 68	
Viscosity 黏 性 cSt			10~400 (59~1854 SSU)	
Operating Temperature 操作溫度 °C			-15~70 (-5~158°F)	
Contamination Level 污染標準			ISO4406, 21/19/16 NAS1638,10	

• All screws with metric measure, if require inch measure, please contact us. 所有螺絲皆為公制標準規格，若需英制螺絲請另外向經銷商。

HOW TO ORDER 編號說明



1 VALVE SERIES 系列名稱

PF= Directional Control Valves
(Pre-fill Valves)

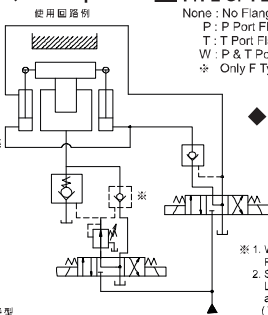
2 SUBPLATE MOUNTING SIZE: 插口直徑

50= 2"(50.8mm)
80= 3"(76.2mm)
90= 3-1/2"(89mm)
100= 4"(101.6mm)
125= 5"(127mm)
150= 6"(152.4mm)
200= 8"(203.2mm)

3 FLANGE CONNECTING TYPE 法蘭連接型

F: Flange 法蘭型
None: Standard 無標準型

Example 使用圖路例



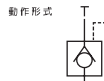
※ This valve can be replaced by MPC-BD series product.
此閥可使用 MPC-BD 系列產品替代

4 TYPE OF FLANGE 法蘭種類

None: No Flange
P: P Port Flange
T: T Port Flange
W: P & T Port Flange
※ Only F Type With Flange

無: 不帶法蘭
P: 帶 P 口法蘭
T: 帶 T 口法蘭
W: 帶 P 及 T 口法蘭
註: 法蘭只帶 F 型才生產

CONTROL PORT(S) 動作形式



- ※ 1. While Pilot Pressure and needs kept Pressure Power under 140kg/cm²
2. Series PF Before turn on and Please firstly Loading out of Pressure. If no this step and cause to be impossible turn on (The Pressure of Power of Pilot needs more than "P" Port 4.5Multiple.)

1. 先將壓力將卸載維持在 140kg/cm² 以下
2. 於系列PF前請務必先卸壓力為無壓狀態 (先卸壓力必須大於P口壓力4.5倍以上)

F
PF

DIRECTIONAL CONTROL VALVES (PRE-FILL VALVES)

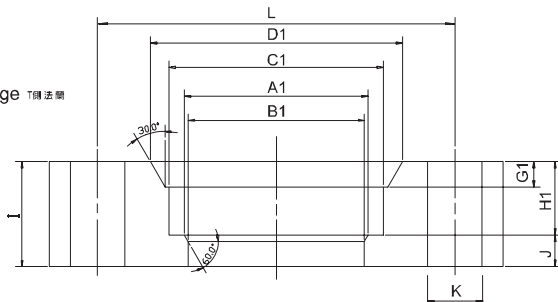
方向控制閥(滿油閥)

PF SERIES

◆ FLANGE DIMENSIONS 法蘭尺寸圖

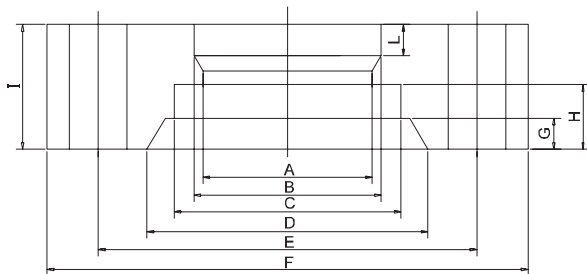
PF-*

T side flange 頂側法蘭



MODEL	I	J	A1	B1	C1	D1	L	H1	G1	SCREW	QT	K
PF-80	45(1.77")	12(0.47")	79(3.11")	73(2.87")	90.2(3.55")	105(4.13")	146(5.75")	25(0.98")	5(0.2")	M16 x140L	6	18(0.71")
PF-90	50(1.97")	14(0.55")	91(3.58")	88(3.46")	102.8(4.04")	120(4.72")	165(6.5")	27(1.06")	5(0.2")	M18 x170L	6	20(0.79")
PF-100	55(2.17")	18(0.71")	-	108(4.25")	115.5(4.55")	135(5.31")	191(7.52")	22(0.87")	5(0.2")	M20 x190L	6	22(0.87")
PF-125	65(2.56")	25(0.98")	-	132(5.2")	141.2(5.56")	165(6.5")	238(9.37")	25(0.98")	5(0.2")	M24 x230L	6	26(1.02")
PF-150	75(2.95")	40(1.57")	155(6.1")	155(6.1")	167(6.57")	181(7.13")	280(11.02")	30(1.18")	7(0.27")	M30 x260L	6	32(1.26")
PF-200	90(3.54")	-	-	218(8.58")	270(10.62")	-	367(14.45")	40(1.57")	-	M30	16	33(12.99")

PF-* CL side flange 側側法蘭



MODEL	A	B	C	D	E	F	G	H	I	L
PF-80	71(2.79")	73(2.87")	90.2(3.55")	115(4.53")	146(5.75")	180(7.08")	10(0.39")	23(0.9")	45(1.77")	12(0.47")
PF-90	82(3.23")	88(3.46")	102.8(4.04")	125(4.92")	165(6.5")	206(8.11")	10(0.39")	23(0.9")	50(1.97")	14(0.55")
PF-100	100(3.93")	108(4.25")	115.5(4.55")	140(5.51")	191(7.52")	240(9.45")	12(0.47")	28(1.1")	55(2.17")	18(0.71")
PF-125	112(4.41")	132(5.2")	141.2(5.56")	170(6.69")	238(9.37")	300(11.8")	15(0.59")	20(0.79")	65(2.56")	25(0.98")
PF-150	-	168(6.61")	167(6.57")	220(8.66")	280(11.02")	335(13.19")	15(0.59")	30(1.18")	75(2.95")	65(2.56")
PF-200	-	218(8.58")	270(10.62")	-	367(14.45")	422(16.6")	-	40(1.57")	90(3.54")	-

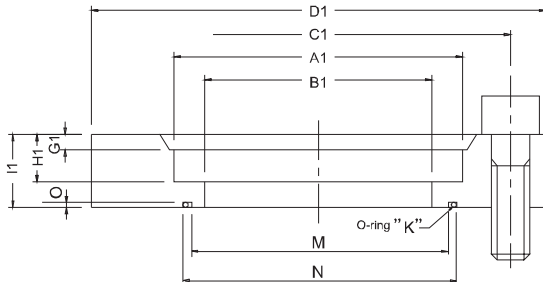
DIRECTIONAL CONTROL VALVES (PRE-FILL VALVES)

PF SERIES

方向控制閥(滿油閥)

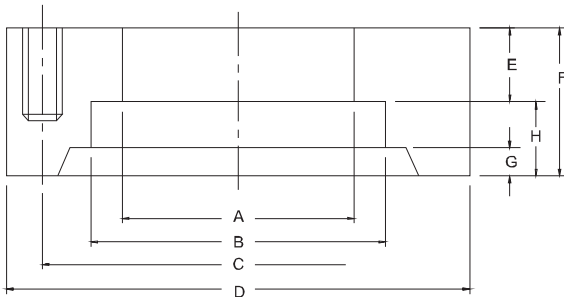
◆ FLANGE DIMENSIONS 法蘭尺寸圖

PF-✱F Series T side flange T側法蘭



MODEL	A1	B1	C1	D1	I1	H1	G1	SCREW	QT	K	M	N	O
PF-80F	90.2(3.55")	71(2.79")	120(4.72")	142(5.59")	23(0.95")	15(0.59")	5(0.2")	M12 x40L	6	G80	77(3.03")	85(3.35")	2.4(0.09")
PF-90F	101.6(4")	88(3.46")	135(5.31")	160(6.3")	23(0.95")	15(0.59")	5(0.2")	M12 x40L	6	G100	97(3.82")	105(4.13")	2.4(0.09")
PF-100F	115.5(4.55")	106(4.17")	148(5.83")	170(6.69")	23(0.95")	15(0.59")	5(0.2")	M12 x40L	6	G115	112(4.41")	120(4.72")	2.4(0.09")
PF-125F	141.2(5.56")	130(5.12")	175(6.89")	200(7.87")	31(1.22")	15(0.59")	5(0.2")	M12 x40L	6	G140	137(5.39")	145(5.71")	2.4(0.09")
PF-150F	167(6.57")	155(6.1")	200(7.87")	225(8.85")	31(1.22")	15(0.59")	7(0.27")	M12 x40L	8	G170	165(6.50")	180(7.09")	4.8(0.18")

PF-✱F Series CL side flange CL側法蘭



MODEL	A	B	C	D	E	F	G	H
PF-80F	71(2.79")	90.2(3.55")	146(5.75")	180(7.09")	22(0.87")	45(1.77")	10(0.39")	23(0.95")
PF-90F	88(3.46")	101.6(4")	165(6.5")	200(7.87")	30(1.18")	50(1.97")	10(0.39")	23(0.95")
PF-100F	106(4.17")	115.5(4.55")	191(7.52")	230(9.06")	32(1.26")	60(2.36")	12(0.47")	28(1.1")
PF-125F	130(5.12")	141.2(5.56")	230(9.06")	270(10.6")	50(1.97")	80(3.15")	15(0.59")	20(0.79")
PF-150F	155(6.1")	167(6.57")	260(10.23")	300(11.81")	40(1.57")	80(3.15")	15(0.59")	30(1.18")

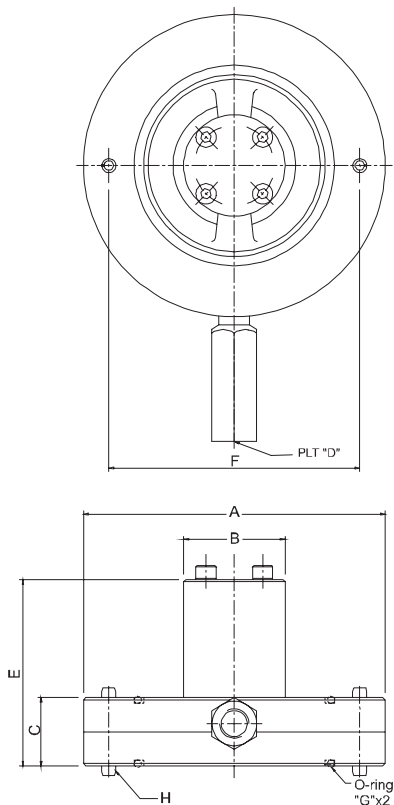
DIRECTIONAL CONTROL VALVES (PRE-FILL VALVES)

方向控制閥(滿油閥)

PF SERIES

◆ DIMENSIONS 外形尺寸圖

PF-*



MODEL	SIZE	A	B	C	D	E	F	G	H
PF-50	2"	82(3.22")	32(1.26")	28(1.10")	PT1/4	55(2.17")	—	G60	—
PF-80	3"	128(5.04")	43(1.69")	29(1.14")	PT1/4	78(3.07")	106(4.17")	G80	6(0.24")
PF-90	3 1/2"	143(5.63")	50(1.97")	35(1.38")	PT1/4	87(3.43")	125(4.92")	G100	6(0.24")
PF-100	4"	169(6.65")	56(2.2")	38.5(1.52")	PT1/4	103(4.05")	145(5.71")	G115	6(0.24")
PF-125	5"	212(8.35")	69(2.72")	44(1.73")	PT1/4	118(4.65")	180(7.09")	G140	6(0.24")
PF-150	6"	248(9.76")	89(3.5")	72(2.83")	PT3/8	181(7.13")	220(8.66")	G180	10(0.39")
PF-200	8"	310(12.2")	115(4.53")	105(4.13")	PT1/2	233(9.17")	284(11.18")	P235	10(0.39")

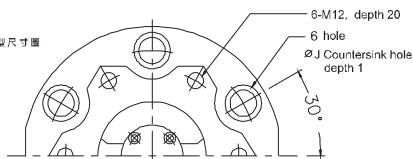
DIRECTIONAL CONTROL VALVES (PRE-FILL VALVES)

PF SERIES

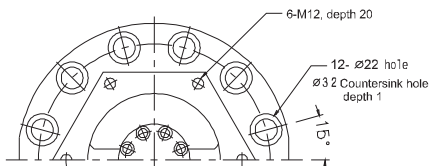
方向控制閥(滿油閥)

◆ DIMENSIONS 外型尺寸圖

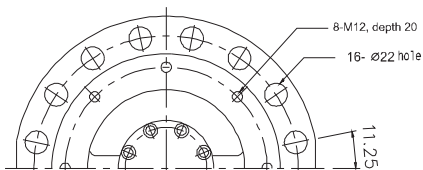
PF-★F Series



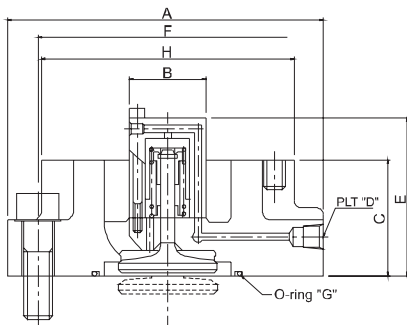
PF-80.90.100F



PF-125F



PF-150F



MODEL	SIZE	A	B	C	D	E	F	G	SCREW	QT
PF-80F	3"	180 (7.09")	43 (1.69")	65 (2.56")	1/4	94 (3.7")	146 (5.75")	G80	M16 x55L	6
PF-90F	3 1/2"	200 (7.87")	50 (1.97")	70 (2.76")	1/4	119 (4.69")	165 (6.5")	G100	M18 x65L	6
PF-100F	4"	230 (9.06")	56 (2.2")	71 (2.8")	1/4	132.5(5.22")	191 (7.52")	G115	M20 x70L	6
PF-125F	5"	270 (10.6")	69 (2.72")	85 (3.35")	1/4	165 (6.5")	230 (9.06")	G140	M20 x80L	12
PF-150F	6"	300 (11.81")	89 (3.5")	105 (4.13")	1/4	204 (8.03")	260(10.23")	G180	M20 x95L	16

F
PF

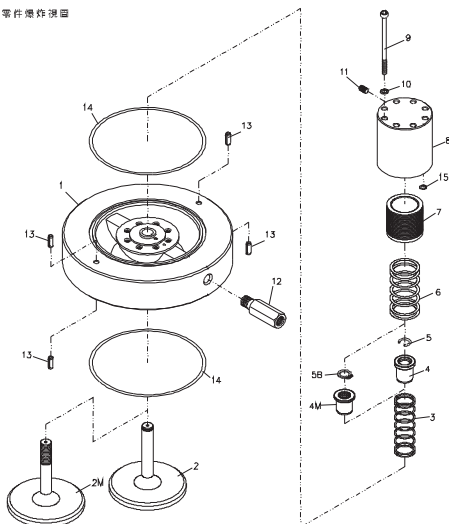
DIRECTIONAL CONTROL VALVES (PRE-FILL VALVES)

方向控制閥(滿油閥)

PF SERIES

◆ PARTS LIST OF PF- * SERIES

零件爆炸視圖



◆ ACCESSORIES 附屬配件

(S)PF-80			
NO	Description	Qty	Specification
9	HEX COUNTER-SINK SCREW	4	M5 x 65L
14	O-ring	2	G80
15	O-ring	1	P4

(S)PF-90			
NO	Description	Qty	Specification
9	HEX COUNTER-SINK SCREW	4	M5 x 70L
14	O-ring	2	G100
15	O-ring	1	P5

(S)PF-100			
NO	Description	Qty	Specification
9	HEX COUNTER-SINK SCREW	8	M5 x 75L
14	O-ring	2	G115
15	O-ring	1	P5

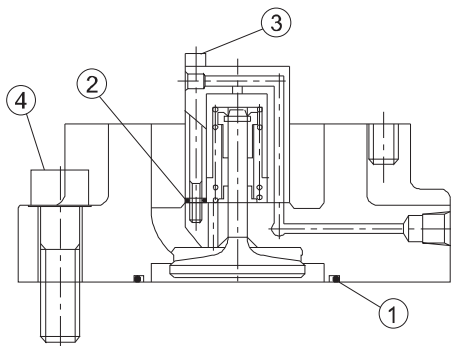
(S)PF-125			
NO	Description	Qty	Specification
9	HEX COUNTER-SINK SCREW	8	M5 x 90L
14	O-ring	2	G140
15	O-ring	1	P6

(S)PF-150			
NO	Description	Qty	Specification
9	HEX COUNTER-SINK SCREW	8	M5 x 130L
14	O-ring	2	G180
15	O-ring	1	P8

(S)PF-200			
NO	Description	Qty	Specification
9	HEX COUNTER-SINK SCREW	8	M10 x 150L
14	O-ring	2	P235
15	O-ring	1	P10

◆ SECTION 剖面圖

PF- * F Series



◆ ACCESSORIES 附屬配件

PF-80F			
NO	Description	Qty	Specification
1	O-ring	1	G80
2	O-ring	1	P4
3	HEX COUNTER-SINK SCREW	6	M5 x 65L
4	HEX COUNTER-SINK SCREW	6	M16 x 95L

PF-90F			
NO	Description	Qty	Specification
1	O-ring	1	G100
2	O-ring	1	P5
3	HEX COUNTER-SINK SCREW	6	M5 x 70L
4	HEX COUNTER-SINK SCREW	6	M16 x 95L

PF-100F			
NO	Description	Qty	Specification
1	O-ring	1	G115
2	O-ring	1	P5
3	HEX COUNTER-SINK SCREW	8	M5 x 75L
4	HEX COUNTER-SINK SCREW	6	M20 x 70L

PF-125F			
NO	Description	Qty	Specification
1	O-ring	1	G140
2	O-ring	1	P6
3	HEX COUNTER-SINK SCREW	8	M5 x 90L
4	HEX COUNTER-SINK SCREW	12	M20 x 90L

PF-150F			
NO	Description	Qty	Specification
1	O-ring	1	G180
2	O-ring	1	P8
3	HEX COUNTER-SINK SCREW	8	M5 x 130L
4	HEX COUNTER-SINK SCREW	16	M20 x 95L

F
PF