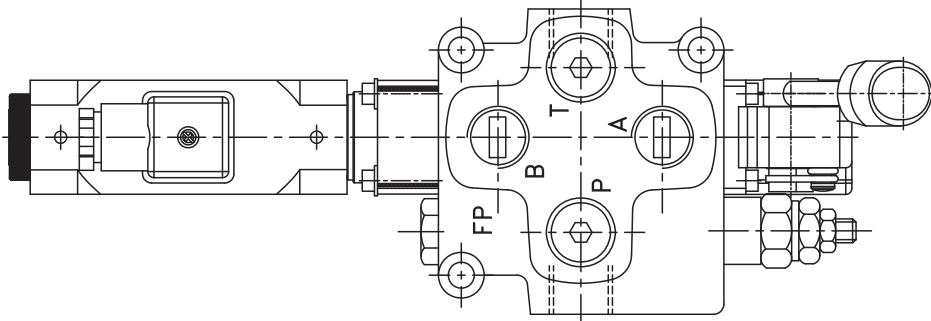
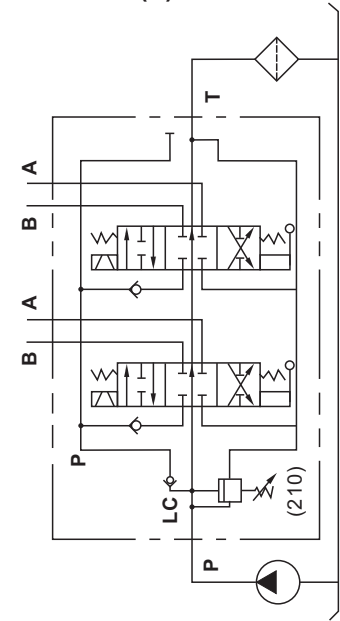


◆ MODEL 型 式

DMG-04



◆ CONTROL PORT(S) 動作形式



◆ SPECIFICATIONS 規 格

| Model Number 型式號碼 | Maximum Pressure 最大壓力 bar | Maximum Flow 最大流量 lpm | Weight 重量 Kg |
|--------------------------------------|---------------------------|-----------------------------------------------------|--------------|
| DMG-03-**-** | 350 (5075 psi) | 45 (11.9gpm) | * |
| DMG-04-**-** | 350 (5075 psi) | 70 (18.5gpm) | * |
| Fluid Type 流體型式 | | ISO VG 32 , 46 , 68 | |
| Viscosity 黏性 cSt | | 10~400 (59~1854 SSU) | |
| Operating Temperature 操作溫度 °C | | -15~70 (-5~158 °F) | |
| Contamination Level 污染標準 | | $\beta_{10} \geq 75$, Under NAS Class 12, 25 μ | |

● Pressure regulation valve, Max. pressure 210 bar
壓力調節閥標準最大壓力210bar

※Need to establish the pressure when 350bar, please tell in advance
※The relief valves please refer to the VRV-03 series

※如需設定壓力為350bar需先告知 ※調壓閥請參考VRV-03系列

◆ HOW TO ORDER 編號說明

| | | | | | | |
|-----|----|----|----|----|----|----|
| 1 | 2 | 3 | 4 | 5 | 6 | 7 |
| DMG | 04 | C2 | 1N | I* | U* | ** |

1 VALVE SERIES 系列名稱

DMG = Solenoid Manual Operated Stack Valve (Monoblock)
電磁式手動多路換向閥(單體式)

5 INLET SECTION 入油測

See Page 029
見頁面029

2 SUBPLATE MOUNTING SIZE 稱呼口徑

03 = G3/8" 04 = G1/2"

6 OUTLET SECTION 出油測

See Page 030
見頁面030

3 SPOOL TYPES 滑柱型式

See Page 028
見頁面028

7 COIL TYPES 電磁線圈類型

D1: DC12V D2: DC24V

4 NUMBER OF VALVE BLOCKS 連數

1N~7N = 1~7 BLOCKS

※The product needs the counter assembly please first to inform the factory, the counter assembly code number is "L"
※產品需逆組裝請先告知工廠，逆組裝代號為"L"。

STACK VALVE

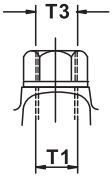
DMG SERIES

多路換向閥系列

◆ DIMENSIONS 外型尺寸圖

● CARRY-OVER PLUG (on T1 Port)

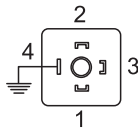
轉接插頭 (接口在T1)



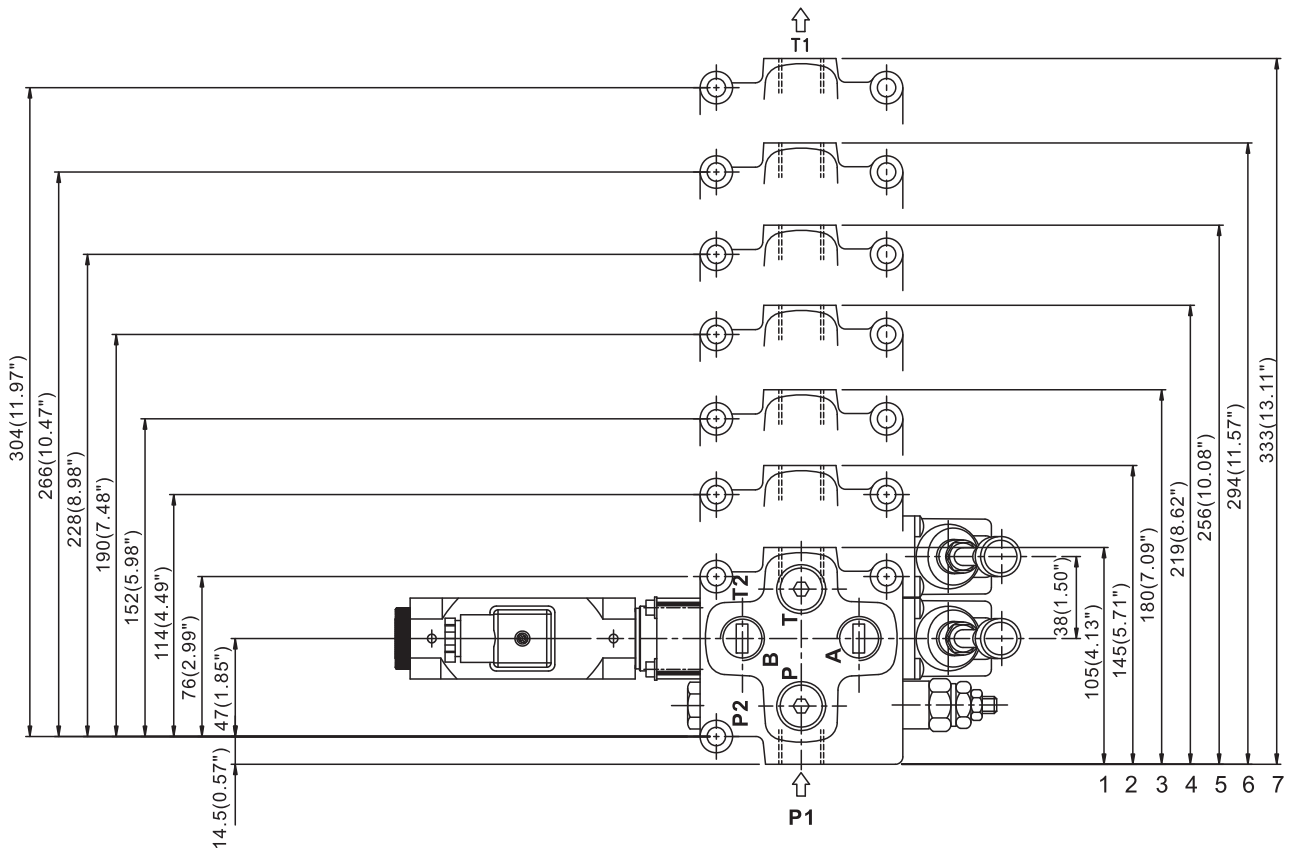
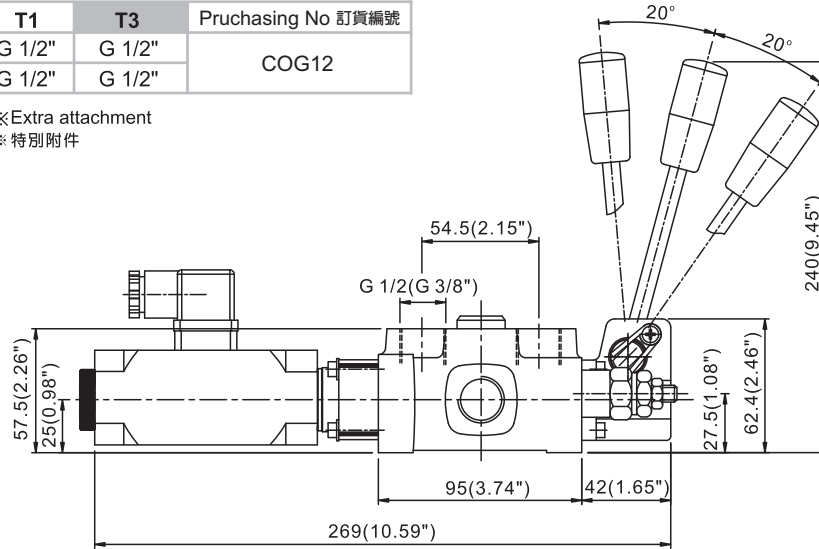
| T1 | T3 | Purchasing No 訂貨編號 |
|--------|--------|--------------------|
| G 1/2" | G 1/2" | COG12 |
| G 1/2" | G 1/2" | |

※Extra attachment
※特別附件

● CODE 編碼



1-2 Port A
1-2 接口 A
1-3 Port B
1-3 接口 B



◆ AVAILABLE THREADS 適用螺紋

| PORTS 閥口 | P1 | P2 | A-B | T1 | T2 |
|--------------|--------|--------|--------|--------|--------|
| DMG-03-**-** | G 1/2" | G 3/8" | G 3/8" | G 1/2" | G 3/8" |
| DMG-04-**-** | G 1/2" | G 1/2" | G 1/2" | G 1/2" | G 1/2" |